

CPDI003 System I/O card

CompactPCI system I/O card

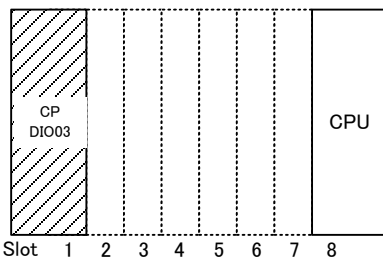


■ Outline

- * 133 Mbps Compact PCI bus
- * CPU abnormal diagnostic function
- * Duplicated CPU switch over function (control/standby)
- * CPU status indication
- * Auxiliary DI/O

digital input	× 2
(Shared with 1 pps input)	
Digital output	× 2
CPU normal output	× 1
- * Tact signal

1 pps(pulse/second) input	× 2
Tact signal output	× 1
- * Slot insert position

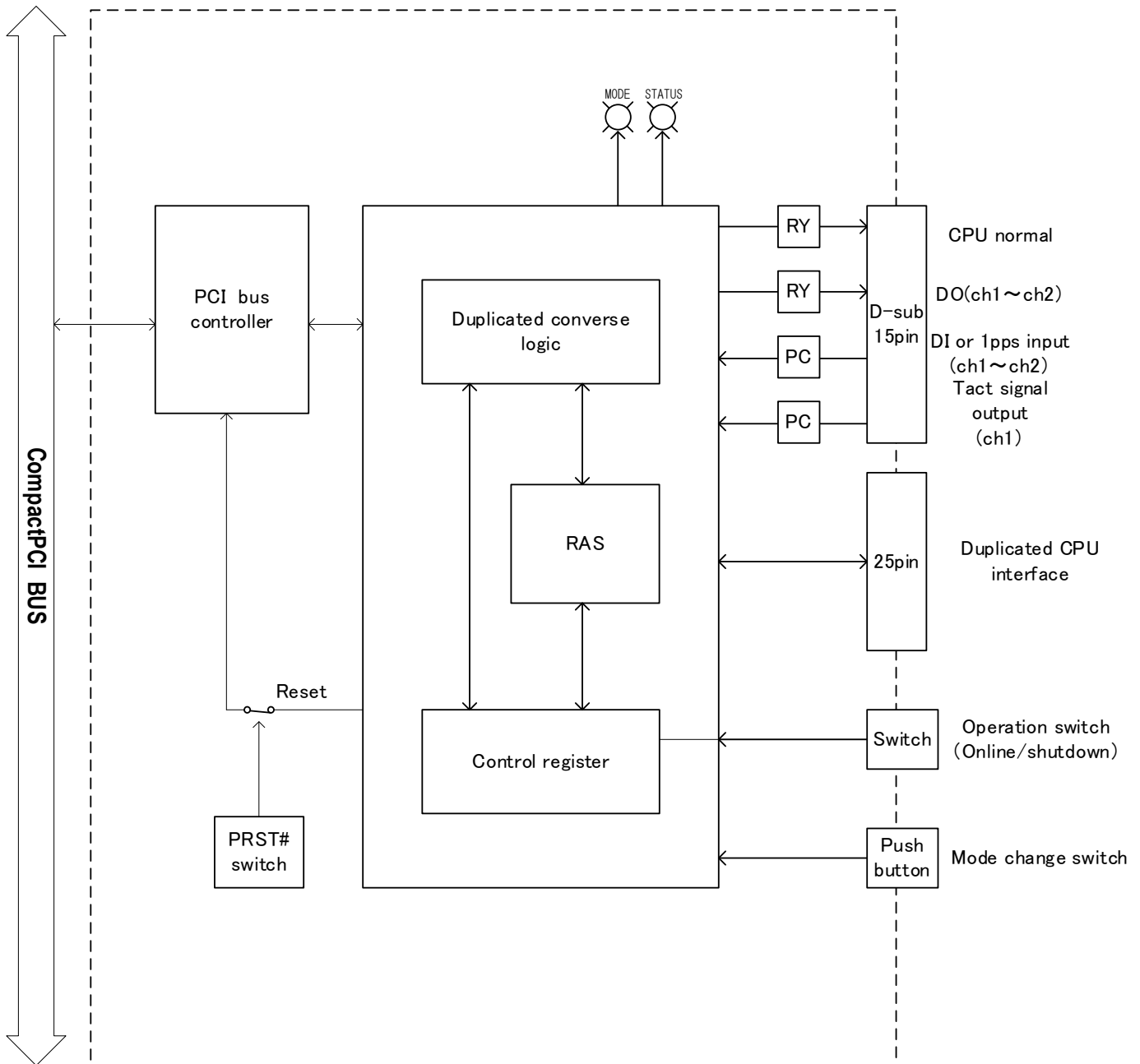


ITEM	SPECIFICATION
CPU self-diagnostic logic	CPU watchdog timer Power supply monitoring DC 5 V, DC 3.3 V (PCI bus) DC 3.3 V, DC 2.5 V (Internal) PCI bus monitoring CPU abnormal D-sub 15, D-sub 25 Connector (Loose, extension DIO) Clock monitor PCI device error Tact signal error
CPU operation mode indication	LED indication (4 modes) Green (Control) Yellow (Standby) Red flash (Init) Red (Offline)
CPU status indication	LED indication (3 modes) Green (Control) Yellow (Abnormal) Red (Failure)
Duplicated CPU status input/output signal	CPU Normal CPU Control mode CPU Control status CPU Standby mode CPU Initial setting finished Miner failure level -1 Miner failure level -2
Tact signal generation	1 pps input × 2 Tact signal output × 1
Auxiliary DI/O	Digital input × 2 (share with 1 pps input) Digital output × 2 CPU normal output × 1
Operation switch	Switches for selecting online/shut down
Mode transfer switch	Push button for control mode select
System status setting	Control mode priority switch CPU node number setting switch Single/duplicated setting switch DI interruption permit switch PRST# output permit switch
Bus standard	CompactPCI bus R2.1 PICMG 2.0 R2.1
Environmental conditions	(Operating) Temperature: 0 to 65°C Humidity: 0 to 95% RH (No condensation) (Storage) Temperature: -20 to 85°C Humidity: 0 to 95% RH (No condensation)
Power supply	DC 5 V ±5% / typ. 1.0 A
Dimensions	174 mm (D) × 128 mm (H) × 40 mm (W) (3U × 2 slots)

CPDIO03 System I/O card

CompactPCI system I/O card

CPDIO03 block diagram



PC : photo coupler RY : relay

When using, please read the instruction manual attached to the product carefully and use it properly.

This catalog may not be distributed or reproduced in whole or in part without permission.

Please be aware that due to product improvements and modifications, the product description in this catalog may differ in certain respects from the actual product.

DIASYS Netmation/DIASYS Netmation4S is a registered trademark of Mitsubishi Heavy Industries, Ltd.

The service names and product names of other companies described in this catalog are the trademarks or registered trademarks of each company.