

# CPIOS01-04 SIOS card

CompactPCI / D-Ring interface card

## ■ Summary



- \*Function : PCI system controller  
D-Ring interface
- \*CPU : Renesas HD6417751RBG240V  
(SH4-7751R)
  - CPU clock : 240 MHz
  - CPU external bus clock : 80 MHz
- \*Boot ROM : 512 kB
- \*Main memory : DDR3-SDRAM DDR3-667  
2 Gbit \_16 bit width (with ECC)

# CPIOS01-04 SIOS card

CompactPCI / D-Ring interface card

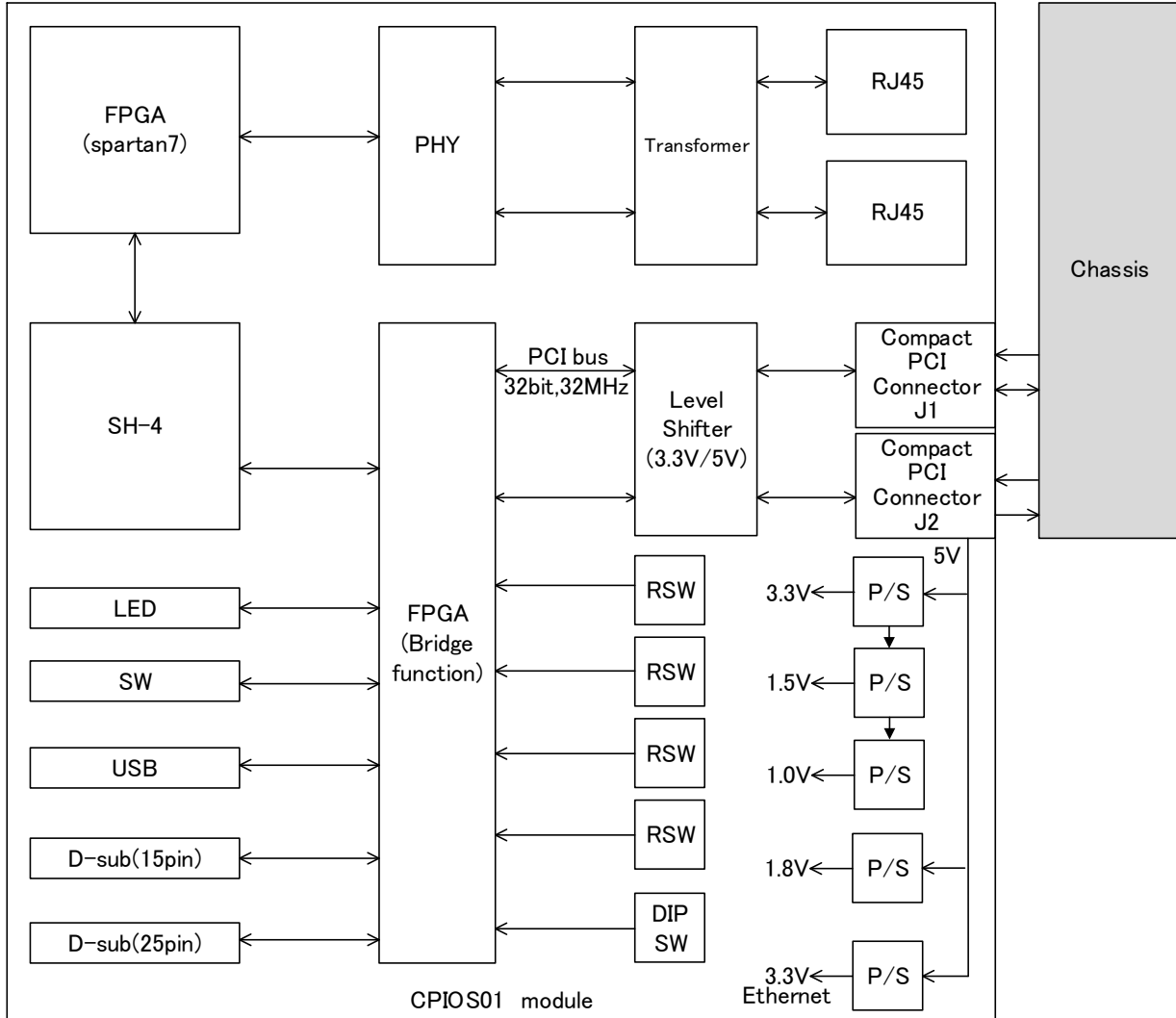
## ■ Specifications

ITEM		SPECIFICATION
Controller		Renesas Electronics SH4 / 240 MHz Xilinx Spartan7
Communication rate		1000 Mbps/1000BASE-T
Main memory1		DDR-667 use 2 Gbit (DDR3-800 extensible with ECC)
Main memory2		DDR-667 use 2 Gbit (DDR3-800 extensible with ECC)
External interface		Ethernet (1000 Mbps) :2
		USB mini-B :1
		Push switch :3 (CONTROL,RESET,ABORT)
		Toggle switch with lock :1 (ON-LINE/SHUTDOWN)
		D-sub (25 pin) :1 (Redundant status interface. P/C insulation)
		D-sub (15 pin) :1 (CPU normal signal, Expansion DIO, EDI time adjust.) P/C insulation
On board switch		Rotary switch :4 (4 bit_node No setting)
		Slide switch :3 (8 bit, Priority of CPU single/Start control, Time server DI interrupt enable, PRSR# out enable, Clock error check, FPGA error check, CPSIO01/02 compatible mode)
Self-diagnostic functions		Power voltage check (5 V, 3.3 V, 1.8 V, 1.5 V, 1.0 V) Clock abnormal check Heartbeat check CRC check (FPGA) ECC error check CPU clock stop check WDT check PCI bus abnormal check
Protection	(Power supply protection)	Overvoltage protection Overcurrent protection Power supply backup for real time clock, 110 hours.
Indicator	Display LED	4 Action mode (G: CONTROL Y: STANDBY R: INIT/OFF-LINE) Abnormal status (G: NORMAL Y: ABNORMAL R: FAILURE) PWR (Power) CF_ACT (Compact Flash Action)
Applicable chassis		CPCHS01, CPCHS02, CPCHS11, CPCHS21, CPCHS24
Power supply		DC 5 V ±5% (The voltage supplied from the chassis)
Environmental conditions	Module ambient temperature	(Operating) 0 to 55°C (Storage) -25 to 80°C
	Module ambient humidity	(Operating/Storage) 10 to 95% RH (No condensation)
Vibration		3.5 mm @ 5 Hz to 8.4 Hz 1 G @ 8.4 Hz to 150 Hz
Shock		15 G 11 ms
Current consumption		1.59 A typ
Weight		0.36 kg
Dimensions		174.4 mm (D) x 128.7 mm (H) x 60.6 mm (W) (Except projection)
Directives		RoHS

# CPIOS01-04 SIOS card

CompactPCI / D-Ring interface card

## Block diagram



RJ45	:	Registered jack 45
PHY	:	Physical layer chip
FPGA	:	Field programmable gate array
PCI	:	Peripheral component interconnect
P/S	:	Power supply
RSW	:	Rotary switch
DIP SW	:	Dual In-line package switch
LED	:	Light Emitting Diode
SW	:	Switch
USB	:	Universal serial bus
D-sub	:	D-subminiature

When using, please read the instruction manual attached to the product carefully and use it properly.

This catalog may not be distributed or reproduced in whole or in part without permission.

Please be aware that due to product improvements and modifications, the product description in this catalog may differ in certain respects from the actual product.

DIASYS Netmation/DIASYS Netmation4S is a registered trademark of Mitsubishi Heavy Industries, Ltd.

The service names and product names of other companies described in this catalog are the trademarks or registered trademarks of each company.