

FXADP01A Duplicated adaptor module

FLEX I/O_{TM} Duplicated adaptor for FXCPU01A

*ControlNet_{TM} is ControlNet International's registered trademark.
*FLEX I/O_{TM} is Rockwell Automation's registered trademark.



■ Outline

- * FLEX I/O_{TM} bus duplicated interface
- * Use and combine with FXCPU01A
- * Maximum connectable 8 FLEX I/O_{TM} modules
- * FLEX I/O_{TM} bus interface × 1
- * FLEX I/O_{TM} extension bus interface × 1
- * LED status indication

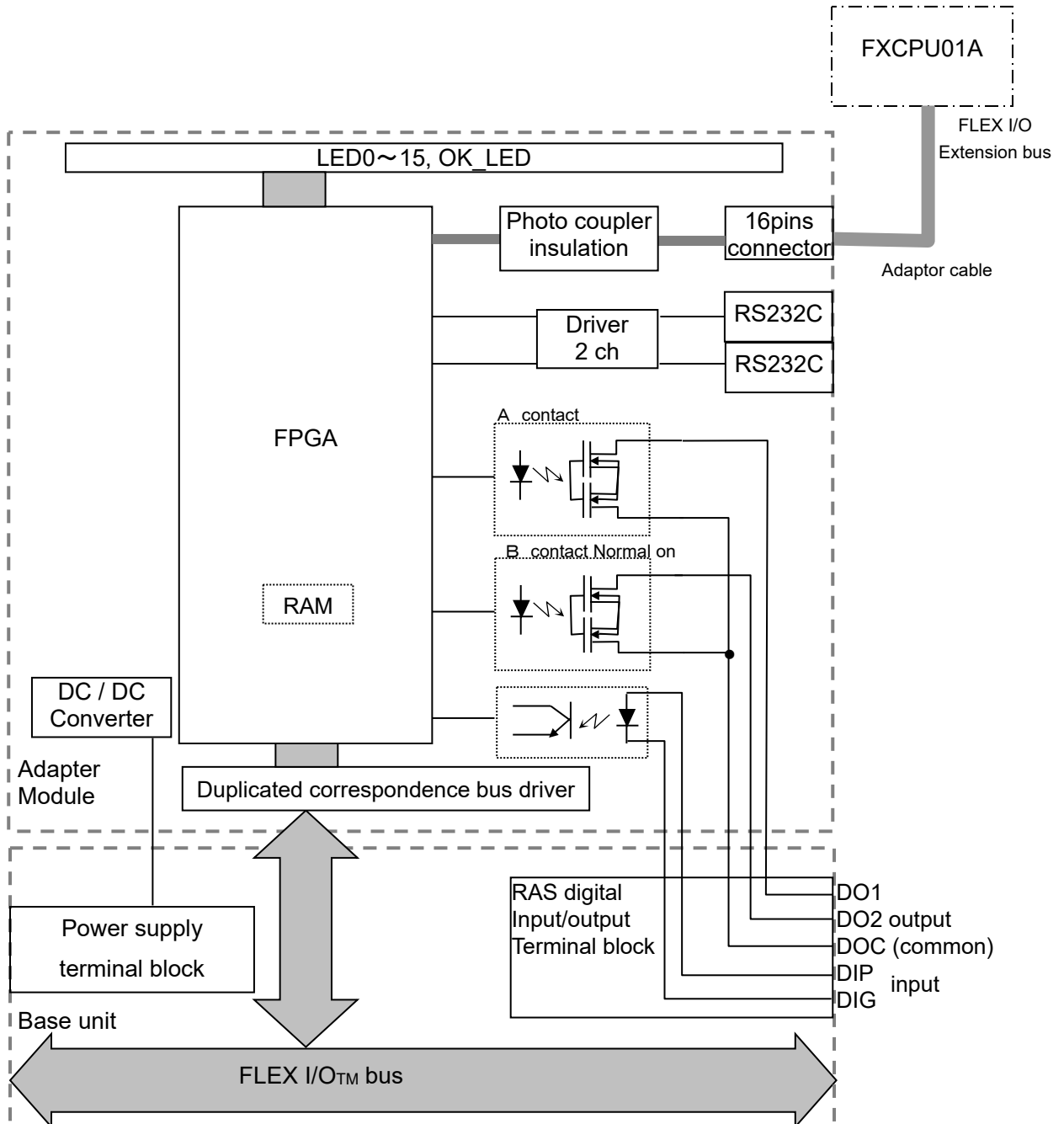
ITEM	SPECIFICATION
Number of available I/O modules	FLEX I/O _{TM} maximum 8 modules
Functions	FLEX I/O _{TM} input/output FXCPU01A duplicated correspondences
Interface	FLEX I/O _{TM} bus I/F × 1 FLEX I/O _{TM} extension bus I/F × 1 (RS232C I/F × 2: for maintenance)
	RAS digital input × 1 Photo coupler insulation Input rated voltage/current: DC 48 V / 5.6 mA
	RAS digital output × 1 N.O. contact PhotoMOS relay Output rated voltage/current: DC 48 V / 120 mA
	RAS Digital output × 1 N.C. contact PhotoMOS relay Output rated voltage/current: DC 48 V / 120 mA
Self-diagnostic function	Adaptor cable monitoring
Indicator	Status LED (OK_LED) - Green (Control) - Yellow (Standby) - Red/Red flashing (Bad connection with CPU) - Off (Adaptor power supply break-down or CPU has serious problems) I/O Module normal : LED8 to 15 DC 24 V power supply normal : LED0 (Adaptor) DC 5 V power supply normal : LED1 (FXCPU01A) DC 5 V power supply normal : LED2
FLEX I/O _{TM} power supply	Maximum DC 5 V / 640 mA
Environmental conditions	(Operating) Temperature: 0 to 55°C Humidity: 5 to 95% RH (No condensation) (Storage) Temperature: -40 to 85°C Humidity: 5 to 95% RH (No condensation)
Power supply	DC 24 ±10% / typ. 0.6 A
Shock/Vibration	15 G / 2 G @ 10 to 500 Hz
Dimensions	Modules 75 mm (D) × 46 mm (H) × 94 mm (W) Base units 49 mm (D) × 94 mm (H) × 94 mm (W)

FXADP01A Duplicated adaptor module

FLEX I/O™ Duplicated adaptor for FXCPU01A

*ControlNet™ is ControlNet International's registered trademark.
*FLEX I/O™ is Rockwell Automation's registered trademark.

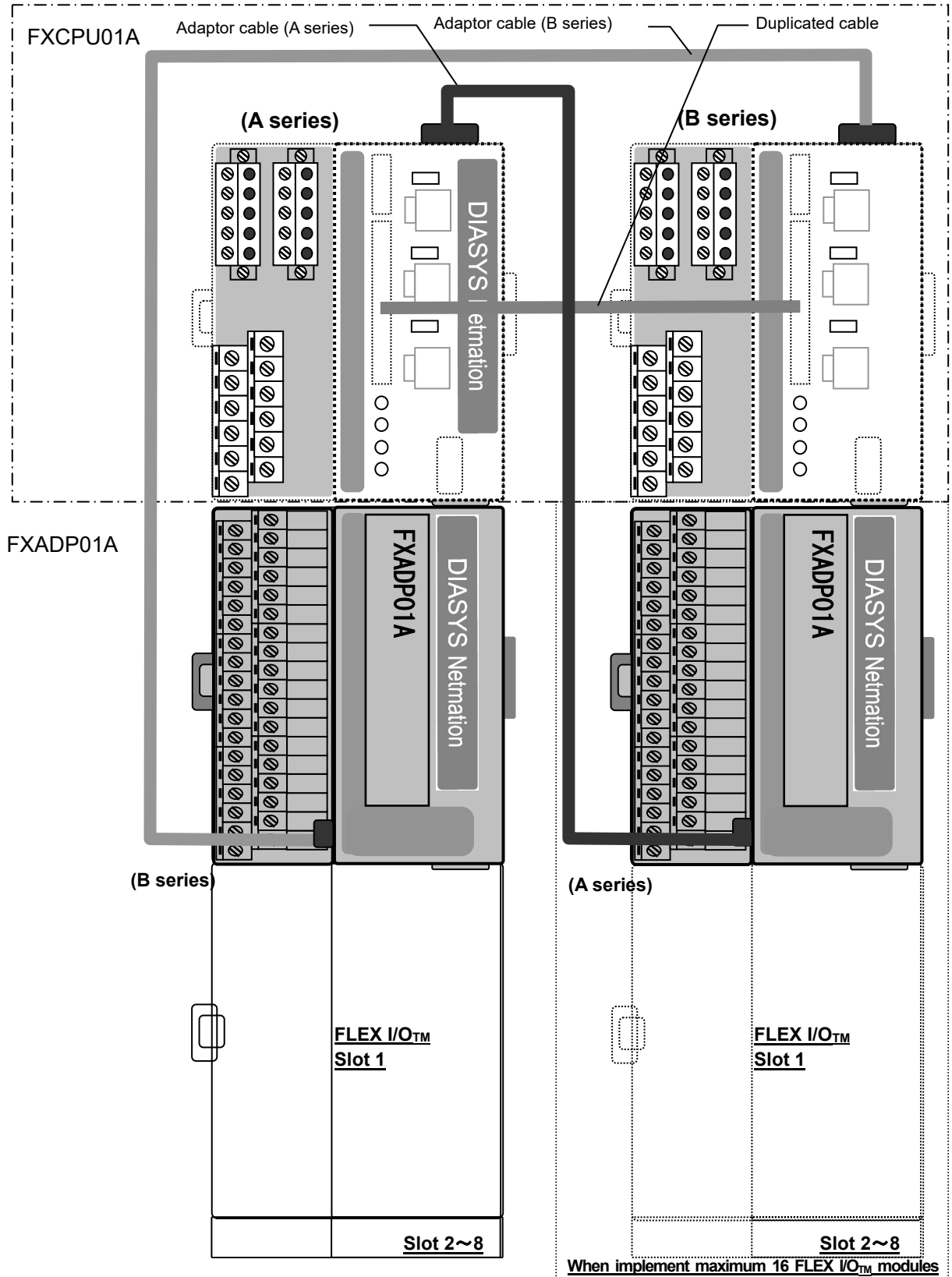
FXADP01A block diagram



FXADP01A Duplicated adaptor module

FLEX I/O™ Duplicated adaptor for FXCPU01A

FXCPU01A + FXADP01A CPU duplicated system structure *ControlNet™ is ControlNet International's registered trademark.
*FLEX I/O™ is Rockwell Automation's registered trademark.

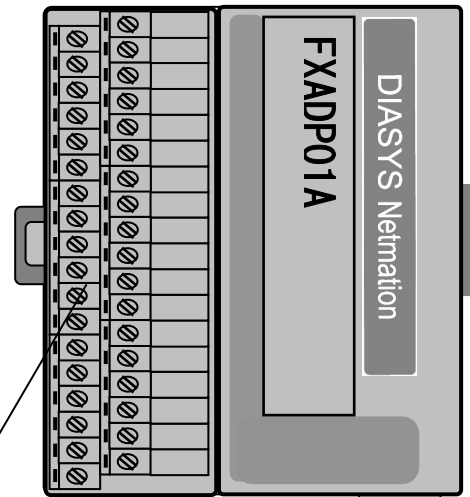


FXADP01A Duplicated adaptor module

FLEX I/O™ Duplicated adaptor for FXCPU01A

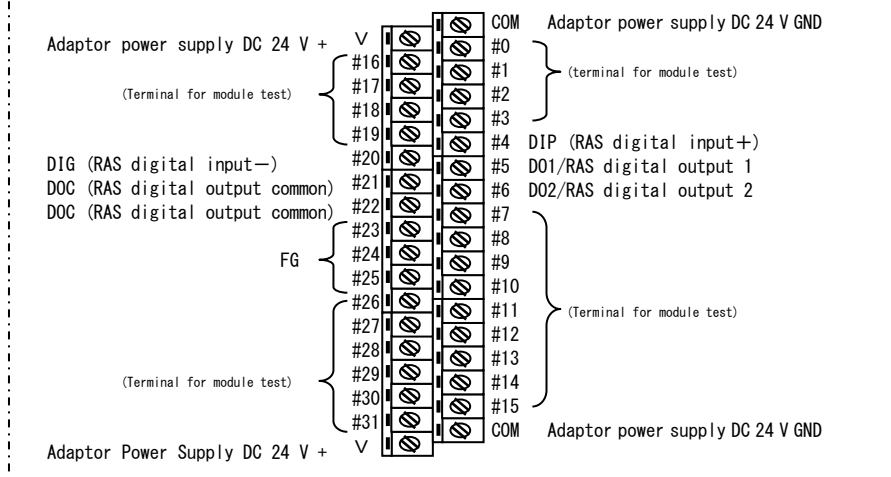
*ControlNet™ is ControlNet International's registered trademark.
*FLEX I/O™ is Rockwell Automation's registered trademark.

FXADP01A base unit terminal block layout



RAS digital input/output + power supply terminal block

RAS digital input/output + terminal block location on power supply ter



When using, please read the instruction manual attached to the product carefully and use it properly.

This catalog may not be distributed or reproduced in whole or in part without permission.

Please be aware that due to product improvements and modifications, the product description in this catalog may differ in certain respects from the actual product.

DIASYS Netmation/DIASYS Netmation4S is a registered trademark of Mitsubishi Heavy Industries, Ltd.

The service names and product names of other companies described in this catalog are the trademarks or registered trademarks of each company.