

# FXAIM01C AI module

ControlNet™ FLEX I/O™ 4 to 20 mA inputs : 8

\*ControlNet™ is ControlNet International's registered trademark.  
\*FLEX I/O™ is Rockwell Automation's registered trademark.



## ■ Outline

- \* Number of Inputs : 8 (0 to 20 mA/4 to 20 mA)
- \* AD Converter duplicated
- \* FLEX I/O™ / ControlNet™ LAN compatible

ITEM	SPECIFICATION
Number of inputs	8
Isolation	Individual
Input range	0 to 20 mA 4 to 20 mA
Resolution	16 bits
Input impedance	250 Ω
Data format	16 bits 2's complement
AD Converter	Duplicated Selection type based on upper logics
Conversion type	Successive approximation
Conversion rate	5 μs/ch
Data refresh cycle	10 ms
Relative accuracy	±0.1% FSD
Temperature drift	Less than ±100 ppm/°C
Input filter (1)Analog filter (2)Digital filter	About 5.5 ms 0 ms, 50 ms, 100 ms, 500 ms (Program selectable, whole channels batch setting)
Self-diagnostic functions	Watchdog timer Power supply voltage low Bus time-out
Indicator	LED × 1    2 modes Green    (Normal) Red      (Abnormal)
Compatible terminal bases	1794 - TB3/TB3S 1794 - TBN/TBNF
Dielectric strength	AC 500 V Between Input terminal and FG (1 min.) Between input channels (1 min.)
Environmental conditions	(Operating) Temperature: 0 to 55°C Humidity: 5 to 95% RH (No condensation)  (Storage) Temperature: -40 to 85°C Humidity: 5 to 95% RH (No condensation)
Power supply	DC 24 V ±10% / Less than 40 mA DC 5 V / Less than 80 mA (FLEX BUS)
Shock/Vibration	15 G / 2 G @ 10 to 500 Hz
Dimensions	75 mm (D) × 46 mm (H) × 94 mm (W)

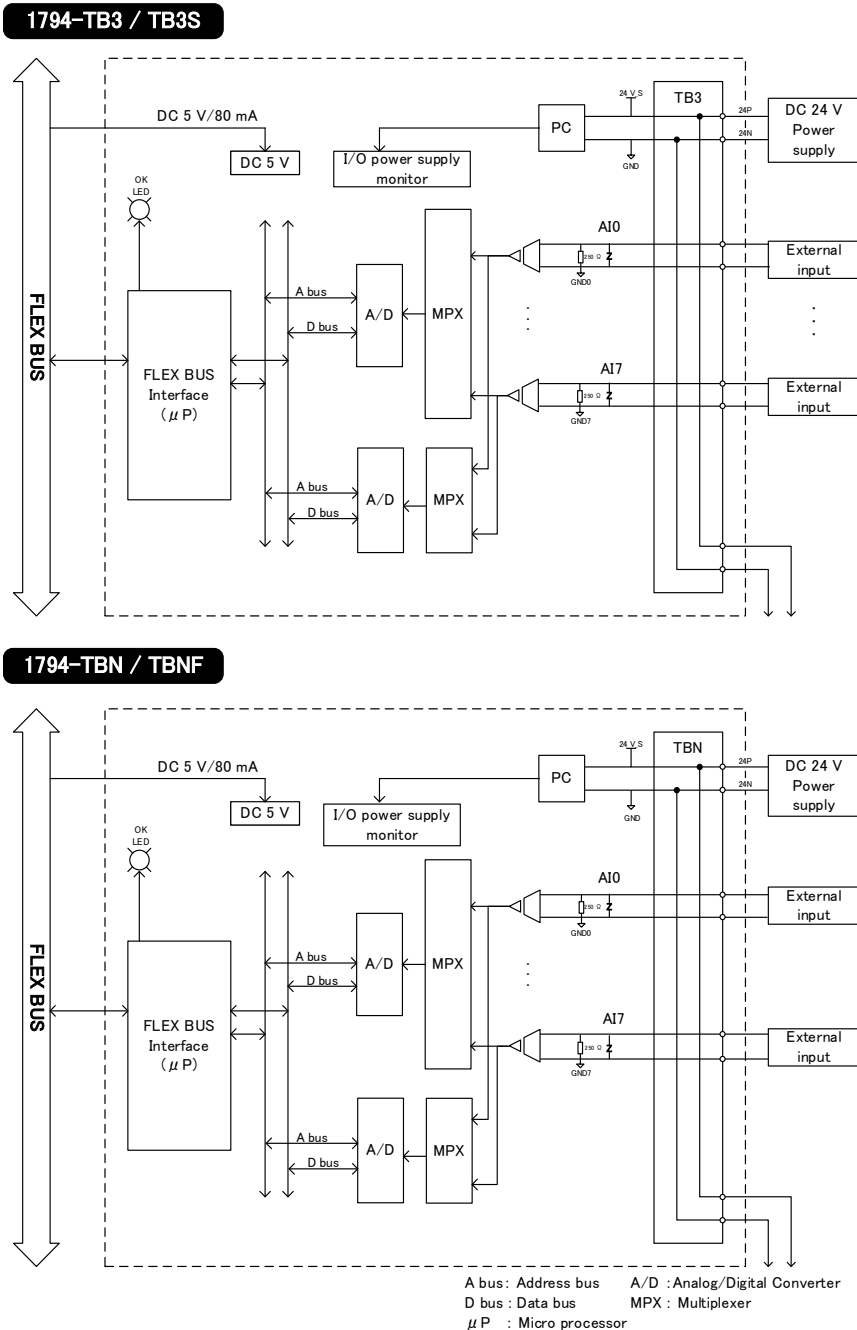
This product uses technology licensed from Rockwell Automation Technologies, Inc.

# FXAIM01C AI module

ControlNet™ FLEX I/O™ 4 to 20 mA inputs : 8

\*ControlNet™ is ControlNet International's registered trademark.  
\*FLEX I/O™ is Rockwell Automation's registered trademark.

## FXAIM01C block diagram



When using, please read the instruction manual attached to the product carefully and use it properly.

This catalog may not be distributed or reproduced in whole or in part without permission.

Please be aware that due to product improvements and modifications, the product description in this catalog may differ in certain respects from the actual product.

DIASYS Netmation/DIASYS Netmation4S is a registered trademark of Mitsubishi Heavy Industries, Ltd.

The service names and product names of other companies described in this catalog are the trademarks or registered trademarks of each company.