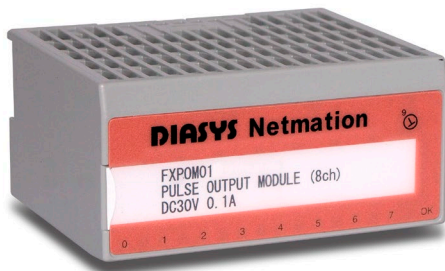


FXPOM01 Pulse output module

ControlNet™ FLEX I/O™ Pulse outputs : 8

*ControlNet™ is ControlNet International's registered trademark.
*FLEX I/O™ is Rockwell Automation's registered trademark.



■ Outline

- * Number of pulse outputs : 8
- * Output pulse rate : 0.05 to 50 Hz
- * FLEX I/O™ / ControlNet™ LAN compatible

ITEM	SPECIFICATION
Number of outputs	8
Isolation	Opto-isolation Individual
Output	Open collector output
Rated output voltage/current	DC 80 V / 5 A
Output leakage current	Less than 1 mA / DC 24 V
Output pulse rate	0.05 to 50 Hz (Configurable by each channel)
Self-diagnostic functions	Watchdog timer Power supply voltage low Bus time-out
Indicator	LED × 1 2 Modes Green (Normal) Red (Abnormal) LED × 8 Yellow (ON) Off (OFF)
Compatible terminal bases	1794 - TB3/TB3S 1794 - TBN/TBNF
Dielectric strength	AC 1500 V Between output terminal and FG (1 min.)
Environmental conditions	(Operating) Temperature: 0 to 55°C Humidity: 5 to 95% RH (No condensation) (Storage) Temperature: -40 to 85°C Humidity: 5 to 95% RH (No condensation)
Power supply	DC 24 V ±10% / Less than 30 mA DC 5 V / Less than 80 mA (FLEX BUS)
Shock/Vibration	15 G / 2 G @ 10 to 500Hz
Dimensions	75 mm (D) × 46 mm (H) × 94 mm (W)

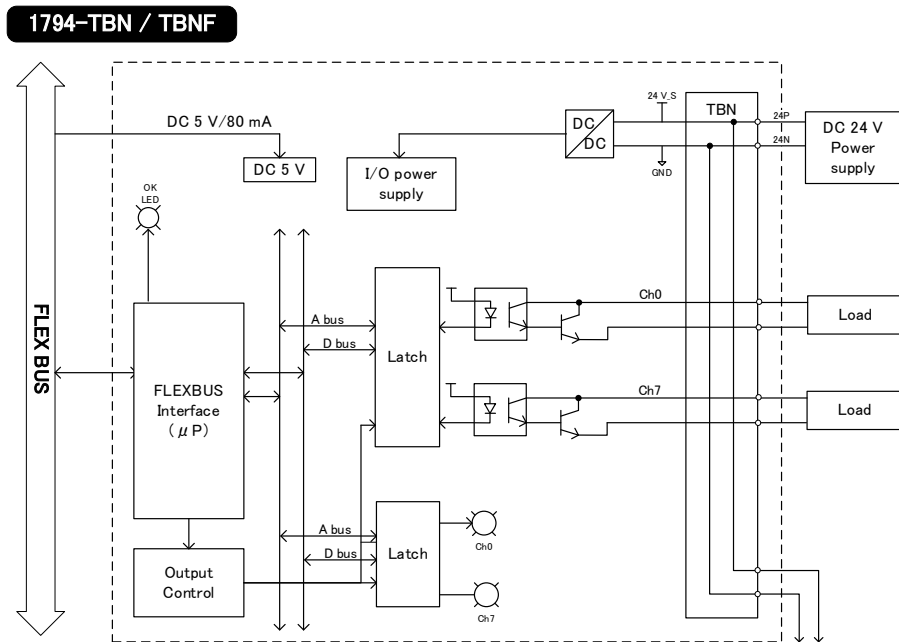
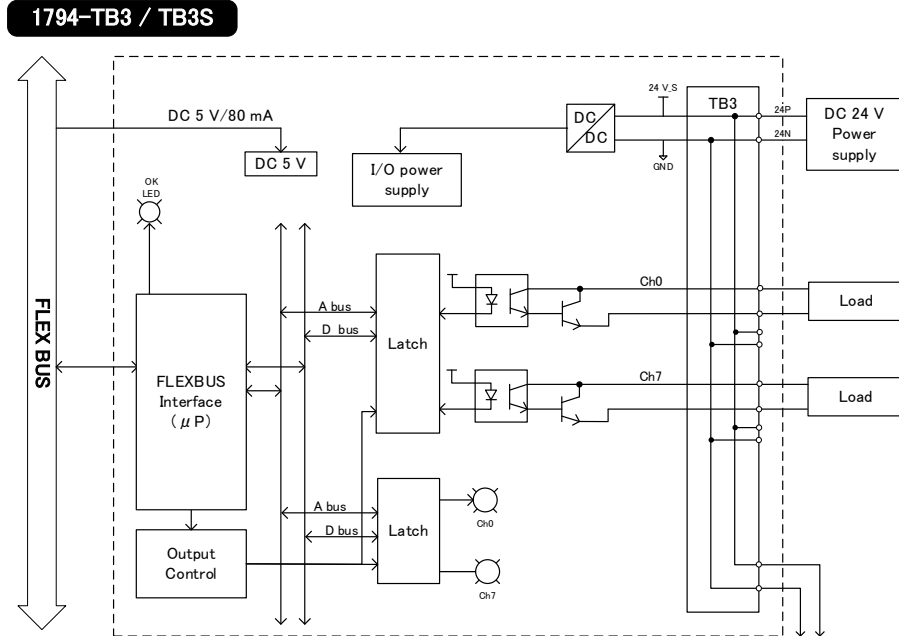
This product uses technology licensed from Rockwell Automation Technologies, Inc.

FXPOM01 Pulse output module

ControlNet™ FLEX I/O™ Pulse outputs : 8

*ControlNet™ is ControlNet International's registered trademark.
*FLEX I/O™ is Rockwell Automation's registered trademark.

FXPOM01 block diagram



A bus : Address bus DC/DC : DC/DC converter
D bus : Data bus μ P : Micro processor

When using, please read the instruction manual attached to the product carefully and use it properly.

This catalog may not be distributed or reproduced in whole or in part without permission.

Please be aware that due to product improvements and modifications, the product description in this catalog may differ in certain respects from the actual product.

DIASYS Netmation/DIASYS Netmation4S is a registered trademark of Mitsubishi Heavy Industries, Ltd.

The service names and product names of other companies described in this catalog are the trademarks or registered trademarks of each company.