

FXFVC01 FVC module

ControlNet™ FLEX I/O™ Turbine high speed valve control (FVC) function

*ControlNet™ is ControlNet International's registered trademark.
*FLEX I/O™ is Rockwell Automation's registered trademark.



ITEM	SPECIFICATION
Analog inputs	4 to 20 mA DC 24 V distributor × 1 ch 4 to 20 mA × 2 ch
Digital input	DC 24 V / 5 mA × 1 ch
Digital outputs	Open collector output DC 30 V / 100 mA × 4 ch
Auxiliary analog outputs (Without isolation)	1 to 5 V DC × 4 ch
Auxiliary digital outputs	Open collector output (DC 30 V/100 mA) × 8 ch
Serial interface (For maintenance)	EIA/RS232C (PS/2) × 1 ch
Self-diagnostic functions	Application abnormal Watchdog timer Clock monitor Connector omission Power supply voltage low Bus time-out
Indicator	LED × 1 2 Modes Green (Normal) Red (Abnormal)
Compatible terminal bases	1794-TB3/TB3S 1794-TBN/TBNF
Dielectric strength	AC 500 V Between analog I/O terminal and FG AC 1500 V Between digital I/O terminal and FG
Environmental conditions	(Operating) Temperature: 0 to 55°C Humidity: 0 to 95% RH (No condensation) (Storage) Temperature: -25 to 85°C Humidity: 0 to 95% RH (No condensation)
Power supply	DC 24 V ±10% / Less than 300 mA DC 5 V / Less than 80 mA (FLEX BUS)
Shock/Vibration	15 G / 2 G @ 10 to 500 Hz
Dimensions	110 mm (D) × 46 mm (H) × 92 mm (W)

■ Outline

- * Turbine high speed valve control
 - Inputs : 4 to 20 mA × 3
 - digital input × 1
 - Outputs : photo coupler × 4
- * Auxiliary interface(Without isolation)
 - Outputs : 1 to 5 V DC × 4
 - digital output × 8
- * FLEX I/O™ / ControlNet™ LAN compatible

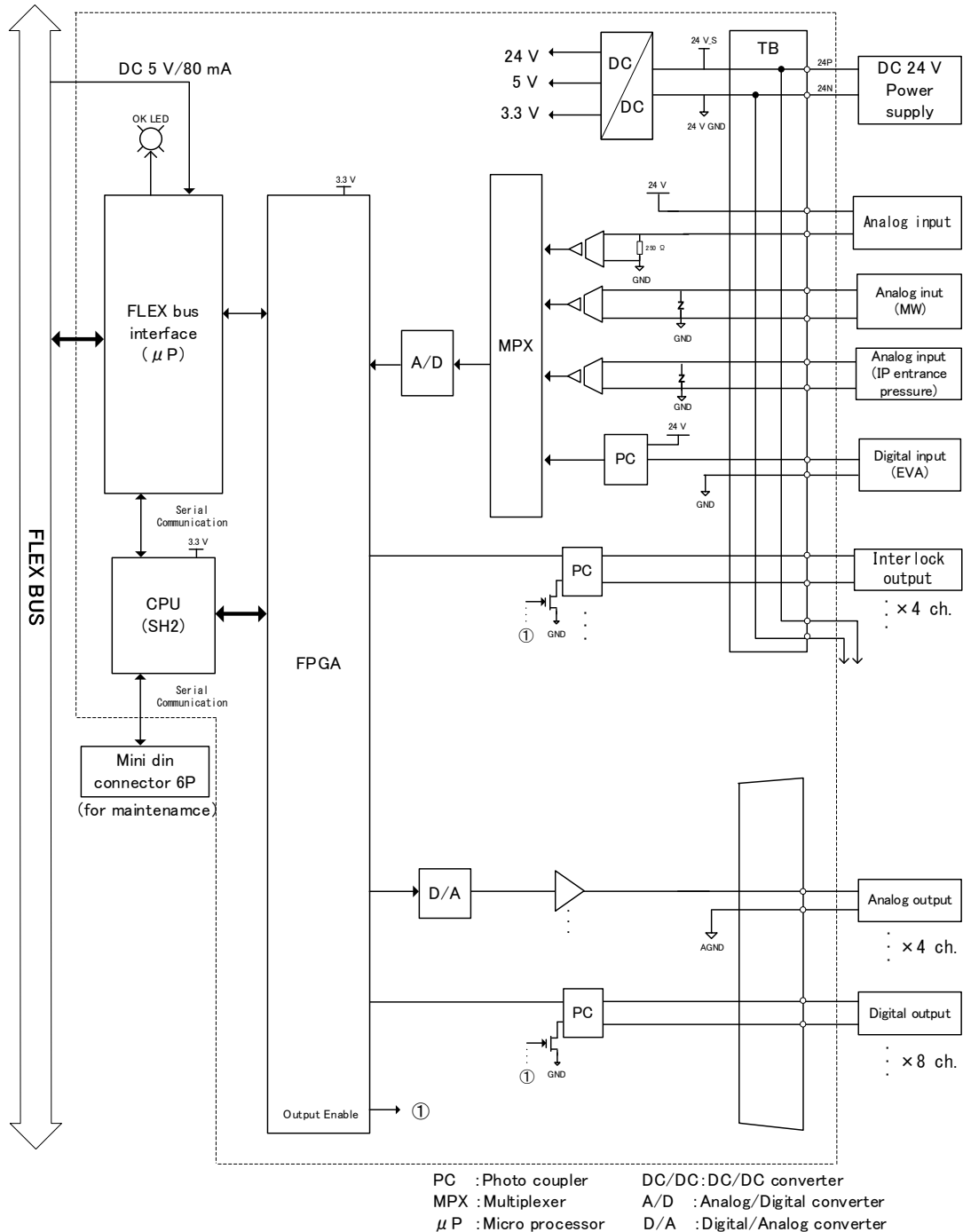
This product uses technology licensed from Rockwell Automation Technologies, Inc.

FXFVC01 FVC module

ControlNet™ FLEX I/O™ Turbine high speed valve control (FVC) function

*ControlNet™ is ControlNet International's registered trademark.
*FLEX I/O™ is Rockwell Automation's registered trademark.

FXFVC01 block diagram



When using, please read the instruction manual attached to the product carefully and use it properly.

This catalog may not be distributed or reproduced in whole or in part without permission.

Please be aware that due to product improvements and modifications, the product description in this catalog may differ in certain respects from the actual product.

DIASYS Netmation/DIASYS Netmation4S is a registered trademark of Mitsubishi Heavy Industries, Ltd.

The service names and product names of other companies described in this catalog are the trademarks or registered trademarks of each company.