

FXEOS01 EOST module

ControlNet™ FLEX I/O™ Electrical over speed trip function

*ControlNet™ is ControlNet International's registered trademark.
*FLEX I/O™ is Rockwell Automation's registered trademark.



■ Outline

- * Turbine over speed trip function
 - 1 to 12000 rpm turbine speed input
 - Speed pulse output
 - F/D conversion
 - Power supply for speed sensor
- * EOST output × 2
- * FLEX I/O™ / ControlNet™ LAN compatible

ITEM	SPECIFICATION
F/D convert	Accuracy : 0.01% FSR Resolution : Less than 0.1 Hz Convert interval: maximum 60 msec at 3000 Hz
Turbine speed input	1 to 12000 Hz × 1 1 V _{p-p} to 200 V _{p-p}
EOST output setting (Trip speed setting)	800 Hz to 1200 Hz
Power supply for speed sensor	-24 V DC
Turbine speed output (Terminal)	Open collector output × 1 24 V DC / 50 mA
Turbine speed output (Connector)	Open collector output × 1 DC 24 V / 50 mA
Analog input	4 to 20 mA × 1
Digital input	Photo coupler input × 1 DC 24 V / 5 mA
Digital outputs (EOST outputs)	Open collector output × 2 DC 30 V / 200 mA
Auxiliary outputs (Without isolation)	1 to 5 V DC × 4 Open collector output × 4 DC 30 V / 100 mA
Self-diagnostic functions	Application abnormal Watchdog timer Clock monitor Connector omission Power supply voltage Low Bus time-out
Serial interface (For maintenance)	EIA RS-232C (PS/2) × 1
Indicator	LED × 1 2 Modes Green (Normal) Red (Abnormal) LED × 16 Yellow (General purpose)
Compatible terminal bases	1794-TB3/TB3S 1794-TBN/TBNF
Dielectric strength	AC 500 V Between analog I/O terminal and FG (1 min.) AC 1500 V Between digital I/O terminal and FG (1 min.)
Environmental conditions	(Operating) Temperature: 0 to 55°C Humidity: 0 to 95% RH (No condensation) (Storage) Temperature: -25 to 85°C Humidity: 0 to 95% RH (No condensation)
Power supply	DC 24 V ±10% / Less than 300 mA DC 5 V / Less than 80 mA (FLEX BUS)
Shock/Vibration	15 G / 2 G @ 10 to 500 Hz
Dimensions	110 mm (D) × 46 mm (H) × 92 mm (W)

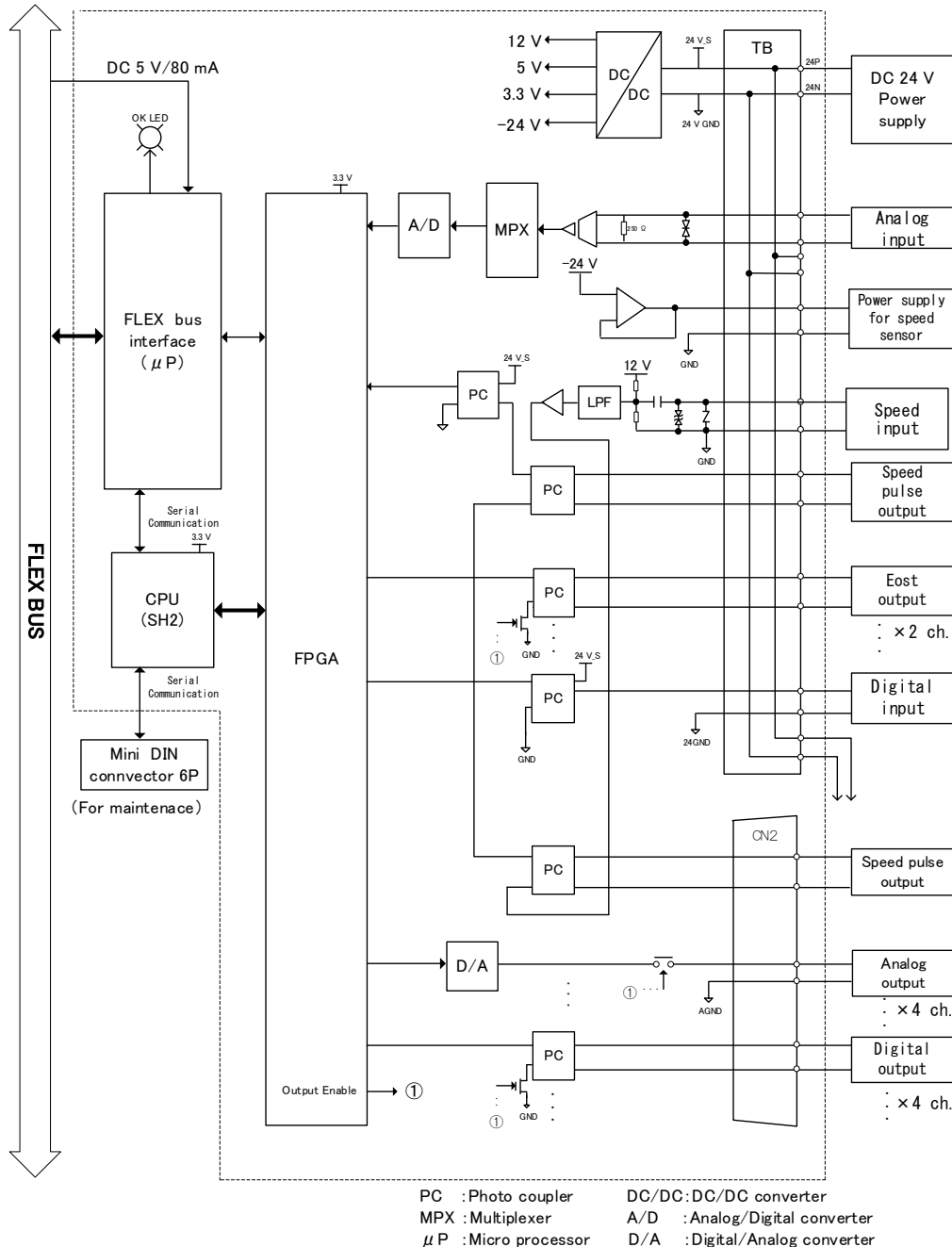
This product uses technology licensed from Rockwell Automation Technologies, Inc.

FXEOS01 EOST module

ControlNet™ FLEX I/O™ Electrical over speed trip function

*ControlNet™ is ControlNet International's registered trademark.
*FLEX I/O™ is Rockwell Automation's registered trademark.

FXEOS01 block diagram



When using, please read the instruction manual attached to the product carefully and use it properly.

This catalog may not be distributed or reproduced in whole or in part without permission.

Please be aware that due to product improvements and modifications, the product description in this catalog may differ in certain respects from the actual product.

DIASYS Netmation/DIASYS Netmation4S is a registered trademark of Mitsubishi Heavy Industries, Ltd.

The service names and product names of other companies described in this catalog are the trademarks or registered trademarks of each company.