

FXTCL02 Turbine interlock logic module

ControlNet™ FLEX I/O™ Turbine interlock logic module

*ControlNet™ is ControlNet International's registered trademark.
*FLEX I/O™ is Rockwell Automation's registered trademark.



ITEM	SPECIFICATION
Terminal block digital inputs	Photo coupler input × 4 DC 24 V / 5 mA
Pulse inputs(spare)	Photo coupler input × 3 DC 24 V / 5 mA
Pulse output(spare)	Open collector output × 1 Maximum voltage /current : DC 30 V / 10 mA
I/O connector Digital inputs	Photo coupler input × 6 DC 24 V / 4 mA
I/O connector Digital outputs	Open collector output × 7 Maximum voltage/current: DC 30 V / 100 mA
Serial interface (for maintenance)	EIA/RS-232C (PS/2) × 1
Self-diagnostic functions	Application abnormal Watchdog timer Clock monitor Connector omission Power supply voltage low Bus time-out
Indicator	LED × 1 3 Modes Green (Control) Yellow (Standby) Red (Abnormal) LED × 16 Yellow (General Purpose)
Compatible terminal bases	1794-TB3/TB3S 1794-TBN/TBNF
Dielectric strength	AC 1500 V Between digital I/O terminal and FG (1 min.)
Environmental conditions	(Operating) Temperature: 0 to 55°C Humidity: 0 to 95% RH (No condensation) (Storage) Temperature: -25 to 85°C Humidity: 0 to 95% RH (No condensation)
Power supply	DC 24 V ±10% / Less than 260 mA DC 5 V / Less than 80 mA (FLEX BUS)
Shock/Vibration	15 G / 2 G @ 10 to 500 Hz
Dimensions	110 mm (D) × 46 mm (H) × 92 mm (W)

■ Outline

* Turbine interlock logic module

- MSV, GV, EV forced close output × 1 for each (1.8 sec. off delay setting available)
- OPC 2 out of 3 output × 1
- Output for Auto/Manual lamp indicator × 1 for each
- Pulse output × 1 (spare)

* Turbine interlock inputs

- 52 G ON × 2
- Auto stop oil pressure low × 2
- OPC operated input (from OPC module) × 3
- Pulse input × 3 (spare)

* Module duplicated interface

* FLEX I/O™ / ControlNet™ LAN compatible

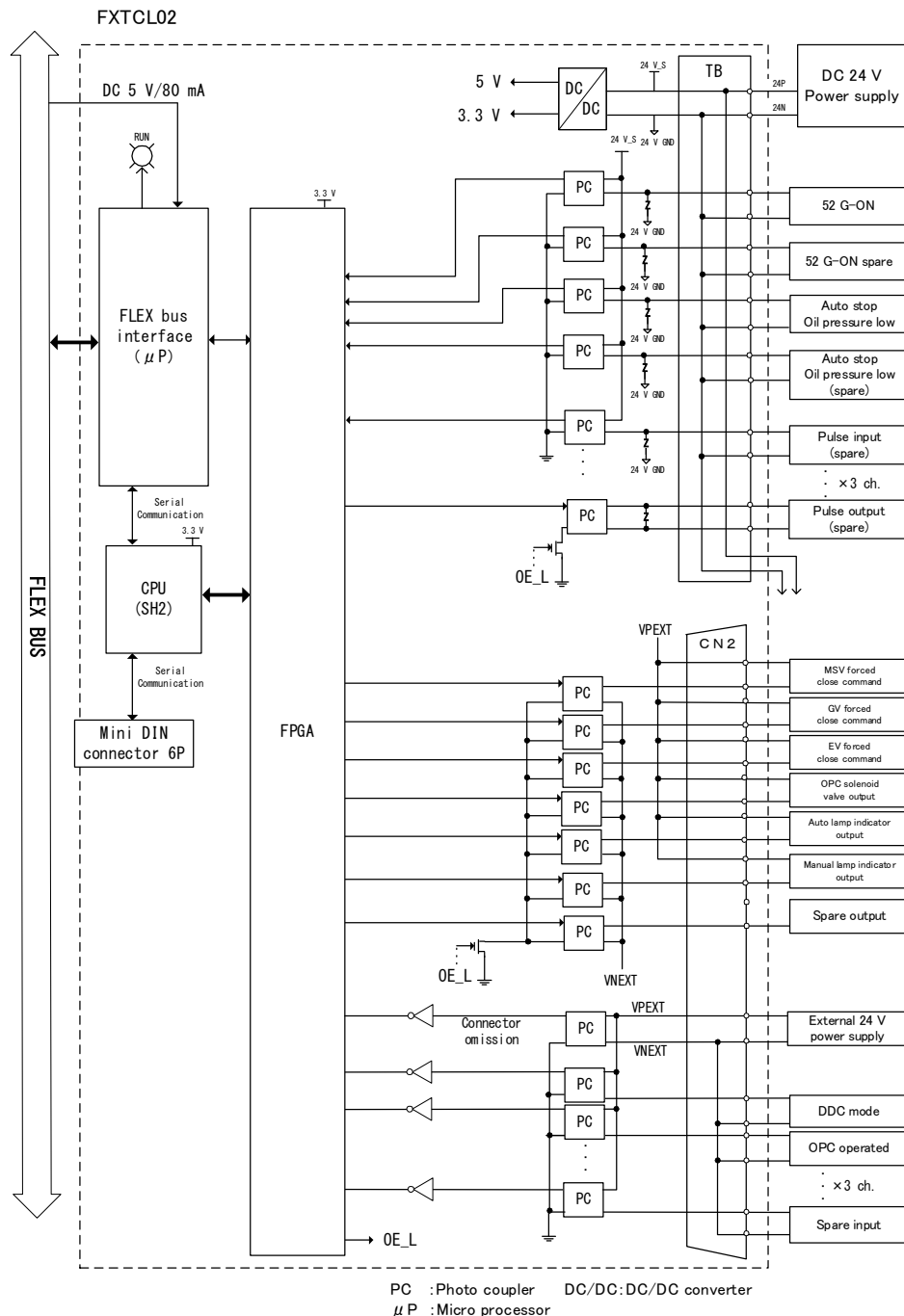
This product uses technology licensed from Rockwell Automation Technologies, Inc.

FXTCL02 Turbine interlock logic module

ControlNet™ FLEX I/O™ Turbine interlock logic module

*ControlNet™ is ControlNet International's registered trademark.
*FLEX I/O™ is Rockwell Automation's registered trademark.

FXTCL02 block diagram



When using, please read the instruction manual attached to the product carefully and use it properly.

This catalog may not be distributed or reproduced in whole or in part without permission.

Please be aware that due to product improvements and modifications, the product description in this catalog may differ in certain respects from the actual product.

DIASYS Netmation/DIASYS Netmation4S is a registered trademark of Mitsubishi Heavy Industries, Ltd.

The service names and product names of other companies described in this catalog are the trademarks or registered trademarks of each company.