

FXGT101 Gas turbine interlock module

ControlNet™ FLEX I/O™ Gas turbine interlock function



■ Outline

* Gas turbine interlock module

Inputs: Combustion pressure	× 1
Blade path temperature	× 1
Exhaust gas temperature	× 1
RTD	× 1
Outputs: Gas turbine interlock	× 4

* Auxiliary interface

inputs: analog 4 to 20 mA	× 1
analog 1 to 5 V	× 1
digital	× 6
outputs: analog 1 to 5 V	× 2
digital	× 1

*ControlNet™ is ControlNet International's registered trademark.
*FLEX I/O™ is Rockwell Automation's registered trademark.

ITEM	SPECIFICATION
"Combustion pressure" input	4 to 20 mA × 1 or 4 to 20 mA/DC 24 V distributor × 1
"Blade path temperature" input	-10 to 80 mV × 1
"Exhaust gas temperature" input	-10 to 80 mV × 1
RTD input	91 to 140 Ω × 1 (-23 to 104°C)
Interlock outputs	Open collector output × 4 DC 30 V/100 mA
Auxiliary input (without isolation)	4 to 20 mA × 1 1 to 5 V × 1 Photo coupler input × 6 DC 24 V/4 mA
Auxiliary outputs (without isolation)	1 to 5 V DC × 2 Open collector output × 1 DC 30 V/100 mA
Self-diagnostic functions	Application abnormal Watchdog timer Clock monitor Connector omission Power supply voltage low Bus time-out
Serial interface (for maintenance)	EIA RS-232C (PS/2) × 1
Indicator	LED × 1 2 modes Green (Normal) Red (Abnormal) LED × 16 Yellow (General Purpose)
Compatible terminal bases	1794-TB3/TB3S 1794-TBN/TBNF
Dielectric strength	AC 500 V Between analog I/O terminal and FG (1 min.) AC 1500 V Between digital I/O terminal and FG (1 min.)
Environmental conditions	(Operating) Temperature: 0 to 55°C Humidity: 35 to 95% RH (No condensation) (Storage) Temperature: -10 to 70°C Humidity: Less than 80% RH (No condensation)
Power supply	DC 24 V ±10% / Less than 340 mA DC 5 V / Less than 80 mA (FLEX BUS)
Shock/Vibration	15 G / 2 G @ 10 to 500 Hz
Dimensions	110 mm (D) × 46 mm (H) × 92 mm (W)

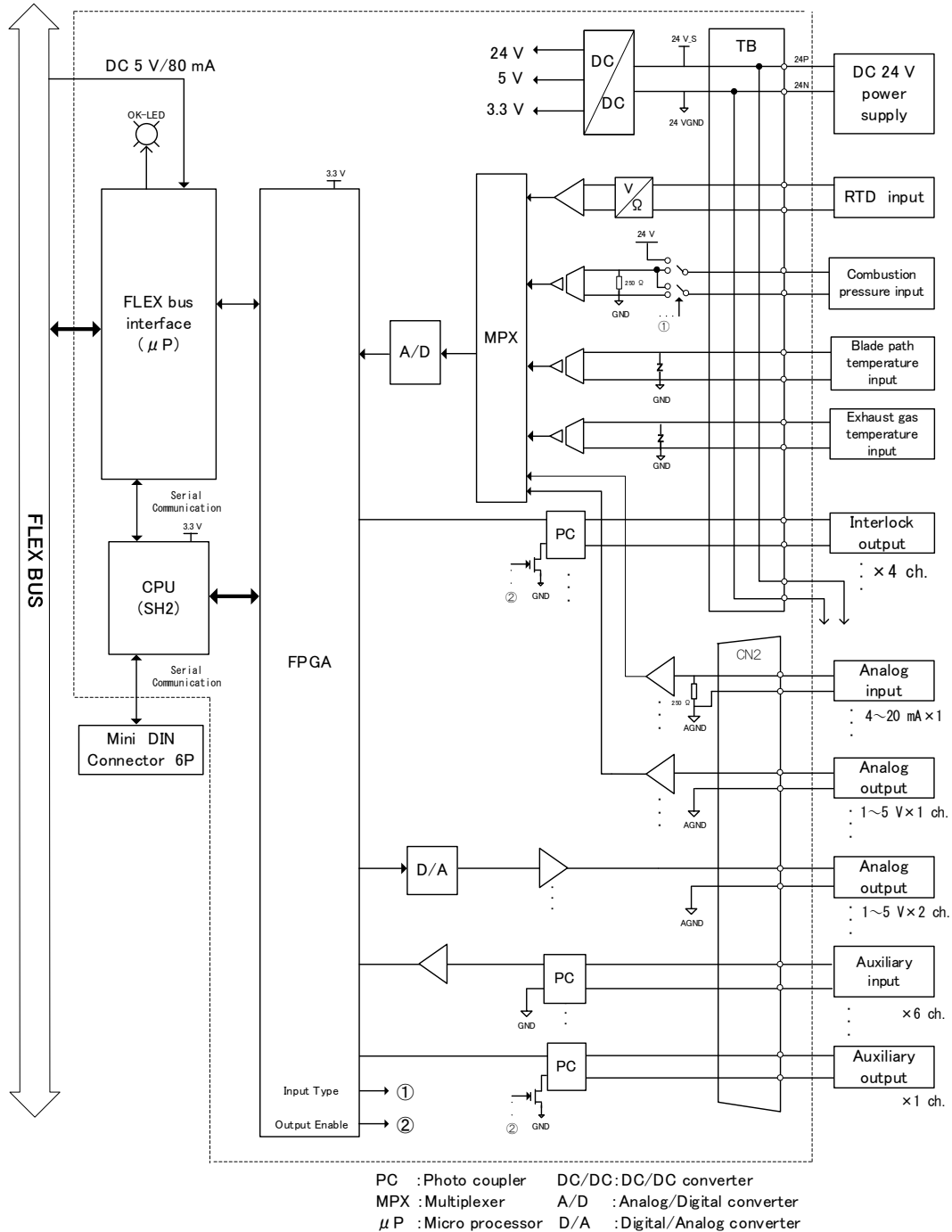
This product uses technology licensed from Rockwell Automation Technologies, Inc.

FXGT101 Gas turbine interlock module

ControlNet™ FLEX I/O™ Gas turbine interlock function

*ControlNet™ is ControlNet International's registered trademark.
*FLEX I/O™ is Rockwell Automation's registered trademark.

FXGT101 block diagram



When using, please read the instruction manual attached to the product carefully and use it properly.

This catalog may not be distributed or reproduced in whole or in part without permission.

Please be aware that due to product improvements and modifications, the product description in this catalog may differ in certain respects from the actual product.

DIASYS Netmation/DIASYS Netmation4S is a registered trademark of Mitsubishi Heavy Industries, Ltd.

The service names and product names of other companies described in this catalog are the trademarks or registered trademarks of each company.