

LSNAM02 Network Adapter

Intel Pentium Processor D1519 Internal operating frequency 1.5 GHz

■ Summary



*CPU	:	Intel Pentium Processor D1519
		Onboard memory
*Main memory	:	DDR4 SDRAM 2133 MT/s
		ECC compliant Maximum 8 GByte
*Communication FPGA	:	Xilinx XC7A200T-2FBG676I
*User interface		
Ethernet (1000base-T/100base-TX/10base-T)	:	2
SD slot	:	1
USB mini-B connector	:	1
Switch	:	4
		- Online / Shutdown switch (toggle switch)
		- Control selection switch
		- Reset switch
		- Abort switch
1 pps signal input connector	:	1

LSNAM02 Network Adapter

Intel Pentium Processor D1519 Internal operating frequency 1.5 GHz

■ Specifications

ITEM		Rated value / Performance
Main parts	CPU	Intel Pentium Processor D1519, Internal operating frequency Maximum 1.5 GHz
	Main memory	Onboard memory DDR4 SDRAM 2133 MT/s, ECC compliant Maximum 8 GByte
	Boot ROM	SPI-Flash memory x 2 (16 MB, 32 MB)
	EEPROM	64 kbit
	Communication FPGA	Xilinx XC7A200T-2FBG676I
	Microcomputer	Silicon Laboratories: Power supply voltage check SILICON LABS: C8051F501-IM Monitor power supply voltage of onboard power supply, ADC calibration, Clock deviation, For survival confirmation of FPGA
Ethernet interface		GIGA-Ethernet (1000base-T/100base-TX/10base-T) : 2
Serial interface		USB serial (USB mini-B connector) : 1
User interface		SD slot : 1 1 pps signal input connector : 1 Toggle switch with lock : 1 (ON-LINE/SHUTDOWN) Push switch : 3 (CONTROL, RESET, ABORT)
Self-diagnosis function		Watchdog timer Power supply voltage check CPU clock error check Illegal access FPGA health check (When error occurs, FPGA can be reconfigured from microcomputer)
Protection function		Overcurrent / overvoltage protection Reverse Current / Reverse Voltage Protection Inrush current protection
Hot swap		Possible (*However, regarding the emergency stop signal processing, it depends on the user circuit.)
Bus standard		LVDS
Indicator		4: Power / Status / Mode / SD Access
Compatible terminal blocks		LSLSB01
Power supply		DC 24 V \pm 20% (The voltage supplied from the backplane)
Environmental conditions	Module ambient temperature	(Operating) -5 to 60°C (Storage) -45 to 85°C
	Module ambient humidity	(Operating / Storage) 0 to 95% RH (No condensation)
Vibration		3.5 mm at 5 Hz to 8.4 Hz, 1 G at 8.4 Hz to 150 Hz
Shock		15 G 11 ms
Current consumption		1.207 A (@ 24 V) * 1
Weight		194 g (Including heat sink) 406 g (Includes CPU module and heat sink)
Dimensions		112 mm (D) x 177.8 mm (H) x 51.8 mm (W) (Except projection)
Standard/Directive		IEC61131-2:2007, RoHs

* About compliant module type

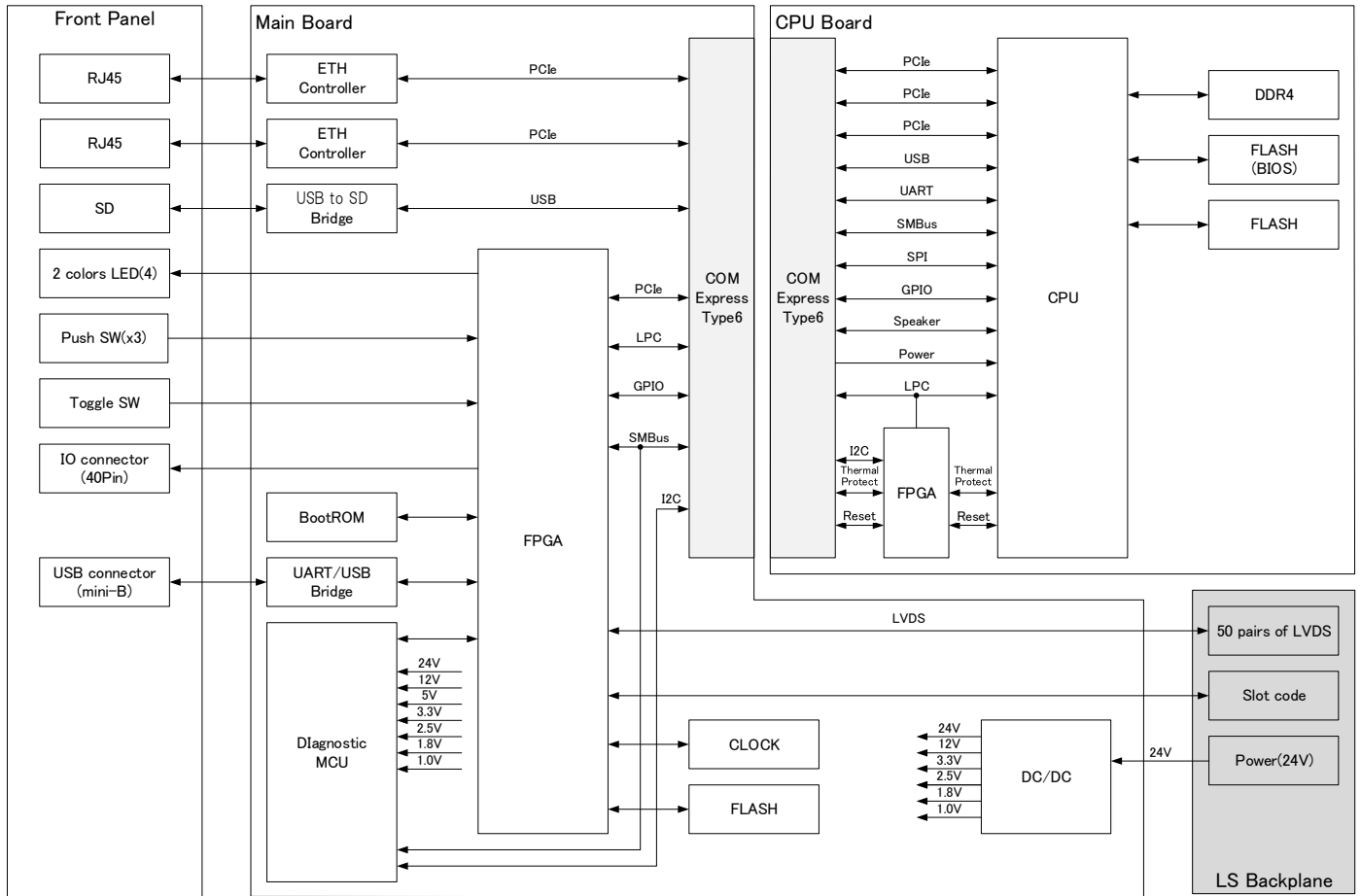
For compliant modules of this product, please refer to "Compliant backplane list (CGS-S9901-E-XX)".

*1 This is the current consumption when the CPU module is mounted and it is operated at 100% CPU load ratio with Intel Thermal Tool at room temperature.

LSNAM02 Network Adapter

Intel Pentium Processor D1519 Internal operating frequency 1.5 GHz

Block diagram



LED	:	Light Emitting Diode
DSW	:	DIP Switch
EEPROM	:	Electrically Erasable Programmable Read-Only Memory
DDR4	:	Double Data Rate4
SDRAM	:	Synchronous Dynamic Random Access Memory
RTC	:	Real Time Clock
SPI	:	Serial Peripheral Interface
JP	:	Jumper Pin
LVDS	:	Low Voltage Differential Signaling
FPGA	:	Field Programmable Gate Array
ROM	:	Read Only Memory
ETH	:	Ethernet
PHY	:	Physical layer
SW	:	Switch

When using, please read the instruction manual attached to the product carefully and use it properly.

This catalog may not be distributed or reproduced in whole or in part without permission.

Please be aware that due to product improvements and modifications, the product description in this catalog may differ in certain respects from the actual product.

DIASYS Netmation/DIASYS Netmation4S is a registered trademark of Mitsubishi Heavy Industries, Ltd.

The service names and product names of other companies described in this catalog are the trademarks or registered trademarks of each company.