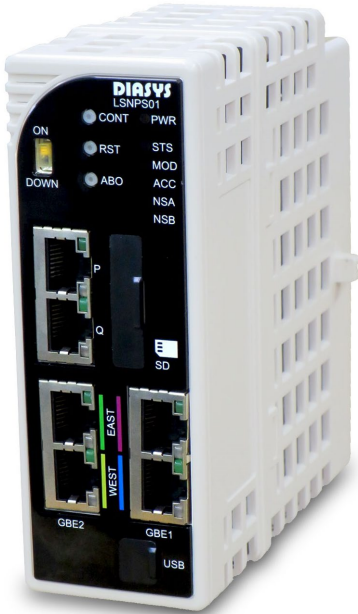


# LSNPS01 Netnode Process Station

Compact type CPU module

## ■ Summary



- \* Processor(SoC) : Xilinx Zynq-7000 (800 MHz)
- \* Main memory : DDR3 SDRAM (512 MB ECC support)
- \* User Interface
  - Indicator : 6: PWR, STS, MOD, ACC, NSA, NSB
  - Switch : 4
    - CONT: For control / standby switching (Pushbutton type)
    - RST: For hardware reset (Pushbutton type)
    - ABO: For program abort (Pushbutton type)
    - ON/DOWN: For shutdown (Sliding type)
- SD Card slot : 1 (For software program)
- GIGA-Ethernet Connector : 6
  - GBE1: For D-Ring (B) connection with EAST / WEST I/O Node
  - GBE2: For D-Ring (A) connection with EAST / WEST I/O Node
  - P-ch/Q-ch: For user interface PC
- USB Connector : 1 (For maintenance communication mini-B)

# LSNPS01 Netnode Process Station

Compact type CPU module

## ■ Specifications

ITEM		SPECIFICATION	
Main parts	Processor(SoC)	Xilinx Zynq-7000 (800 MHz)	
	Main memory	DDR3 SDRAM (512 MB ECC support)	
	Flash memory	SPI Flash (128 Mbit)	
User Interface	SD Card slot	1 (For software program)	
	USB Connector	1 (For maintenance communication mini-B)	
	GIGA-Ethernet	6 (1000Base-T) GBE1: For D-Ring (B) connection with EAST / WEST I/O Node GBE2: For D-Ring (A) connection with EAST / WEST I/O Node P-ch/Q-ch: For user interface PC	
Backplane Interface	LVDS	LVDS communication (24 pairs/100 Mbps)	
	I2C	1 ch (400 kHz)	
Indicator		6: PWR, STS, MOD, ACC, NSA, NSB	
Switch		4 :CONT, RST, ABO, ON/DOWN	
Cooling mechanism		Heat Sink	
Hot swap		Possible	
Supply power supply	Voltage	DC 24 V $\pm$ 20% Voltage supplied from the backplane (When a voltage higher than 24 V +20% is applied, power shutdown)	
	Power receiving system	Two systems (Diode butt)	
Environmental conditions	Module ambient temperature	(Operating) 0 to 60°C	(Storage) -40 to 85°C
	Module ambient humidity	(Operating / Storage) 10 to 95% RH (No condensation)	
Power consumption		12 W (Max)	
Weight		420 g	
Dimensions		111 mm (D) x 129 mm (H) x 48 mm (W) (Excluding protrusions)	
Standard/Directive		IEC61131-2:2007, RoHS	

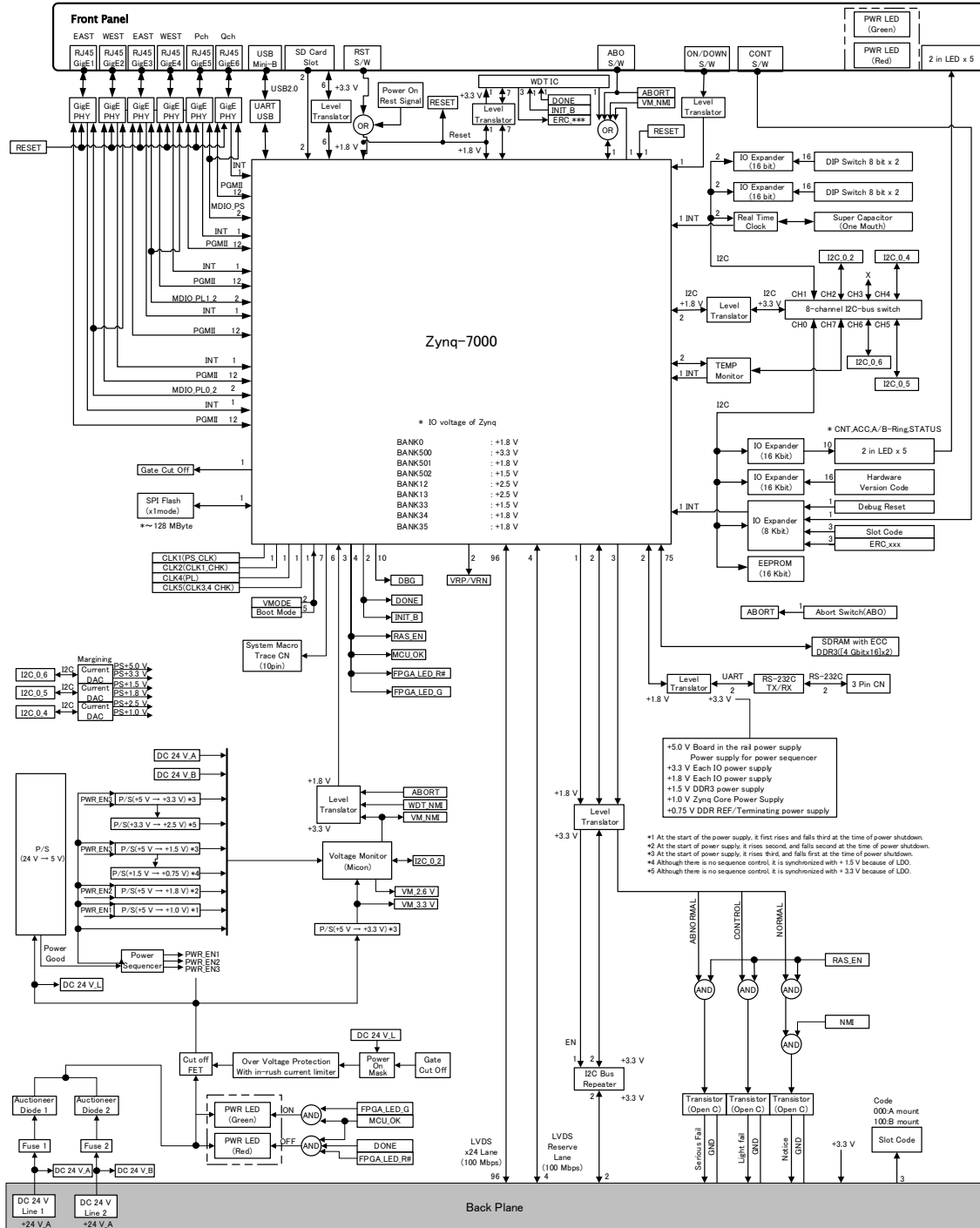
\*About compliant module type

For compliant modules of this product, please refer to "Compliant backplane list (CGS-S9901-E-XX)".

# LSNPS01 Netnode Process Station

Compact type CPU module

## Block diagram



When using, please read the instruction manual attached to the product carefully and use it properly.

This catalog may not be distributed or reproduced in whole or in part without permission.

Please be aware that due to product improvements and modifications, the product description in this catalog may differ in certain respects from the actual product.

DIASYS Netmation/DIASYS Netmation4S is a registered trademark of Mitsubishi Heavy Industries, Ltd.

The service names and product names of other companies described in this catalog are the trademarks or registered trademarks of each company.