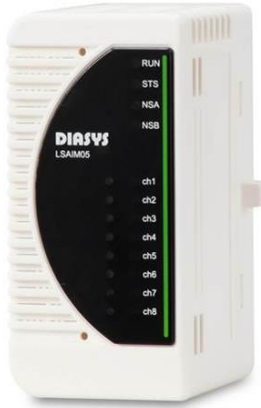


LSAIM05 AI module

LS communication RTD inputs : 4 Pt100/Cu10

■ Summary



- * Number of inputs : 4 : Resistance temperature input
(3 wire type, 4 wire type compatible, channel individual isolation)
- * Input range : Pt100 ; -100 to 850°C (Wide)
Pt100 ; -40 to 60°C (Narrow)
Cu10 ; 0 to 130°C
- * Module ambient temperature : -5 to 60°C
- * Insulation method : Photocoupler insulation

L5AIM05 AI module

LS communication RTD inputs : 4 Pt100/Cu10

■ Specifications

ITEM		SPECIFICATION		
Input	Number of channels	4 (3 wire type, 4 wire type compatible, channel individual isolation)		
	Resolution	16 bits		
	Range(Full Scale)	Pt100 (60.26 to 390.48 Ω) -100 to 850°C (Wide)	Pt100 (84.27 to 123.24 Ω) -40 to 60°C (Narrow)	Cu10; 0 to 130°C (9.035 to 14.055 Ω)
Data refresh cycle		50 ms/All channels	50 ms/All channels	50 ms/All channels
Absolute accuracy @25°C	4 wire type & 3 wire type	±0.75°C	±0.4°C	±1.0°C
Temperature drift @-5 to 60°C (Relative to full-scale)	4 wire type	Less than ±100 ppm/°C	Less than ±200 ppm/°C	Less than ±250 ppm/°C
	3 wire type	Less than ±100 ppm/°C	Less than ±333 ppm/°C	Less than ±500 ppm/°C
CMRR	RTD	4W-Pt100 (Wide)	When voltage	100 dB or more attenuation
			When Current	100 dB or more attenuation
		4W-Pt100 (Narrow)	When voltage	100 dB or more attenuation
			When Current	100 dB or more attenuation
		4W-Cu10	When voltage	100 dB or more attenuation
			When Current	100 dB or more attenuation
NMRR	RTD	20 dB or more attenuation		
Wiring resistance	One wiring neighborhood	Less than 5 Ω (At 850°C in Wide range)		Less than 2 Ω (4 wire type) Less than 1 Ω (3 wire type)
Input filter		Software digital filter (Channel individual)		
Dielectric strength		AC 500 V input terminal - between PE Between input channels		
Communication with IOA	Communication method	LVDS		
	Communication speed	100 Mbps		
Self-diagnostic functions		Power voltage check (24 V, 3.3 V, 1.2 V) Clock check (FPGA-MCU for diagnosis, MCU for diagnosis -FPGA) Heartbeat check (FPGA-MCU for diagnosis, MCU for diagnosis -FPGA) CRC check (FPGA) AI communication error check		
Detective		ADC abnormal check I/O signal range check (Overrange, Underrange)		
When disconnected		Simultaneous detection of underrange and ove range		
Protection	(Power supply protection)	Overvoltage protection Overcurrent protection		
Indicator	Display LED	4: RUN (Run) / STS (Status) / NSA (Network status A) / NSB (Network status B)		
Insulation method		Photocoupler insulation		
Hot swap		Possible		
Power supply		DC 24 V ±20% (The voltage supplied from the backplane)		
Environmental conditions	Module ambient temperature	(Operating) -5 to 60°C (Storage) -40 to 85°C		
	Module ambient humidity	(Operating / Storage) Less than 95% RH (No condensation)		
Vibration		3.5 mm @5 to 8.4 Hz 1 G @8.4 to 150 Hz		
Shock		15 G 11 ms		
Current consumption		Less than 68 mA		
Weight		0.10 kg		
Dimensions		62 mm (D) x 94 mm (H) x 46 mm (W) (Except projection)		
Standard/Directive		IEC61131-2:2007, RoHS		

*About compliant module type

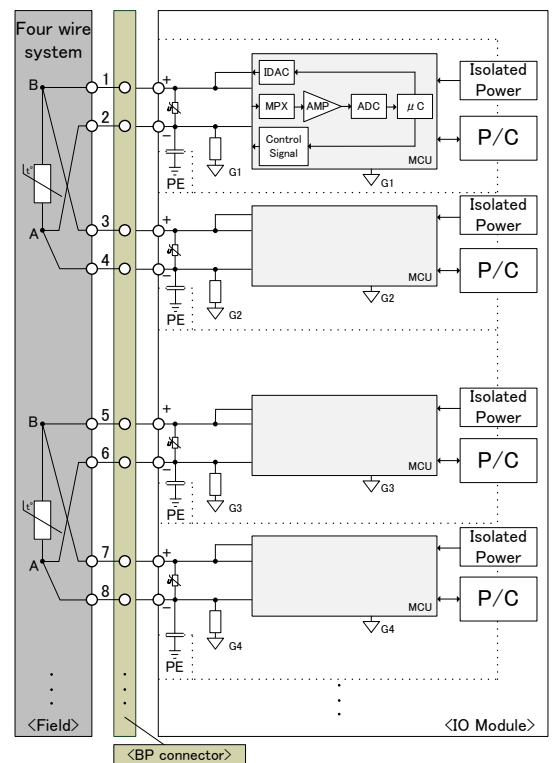
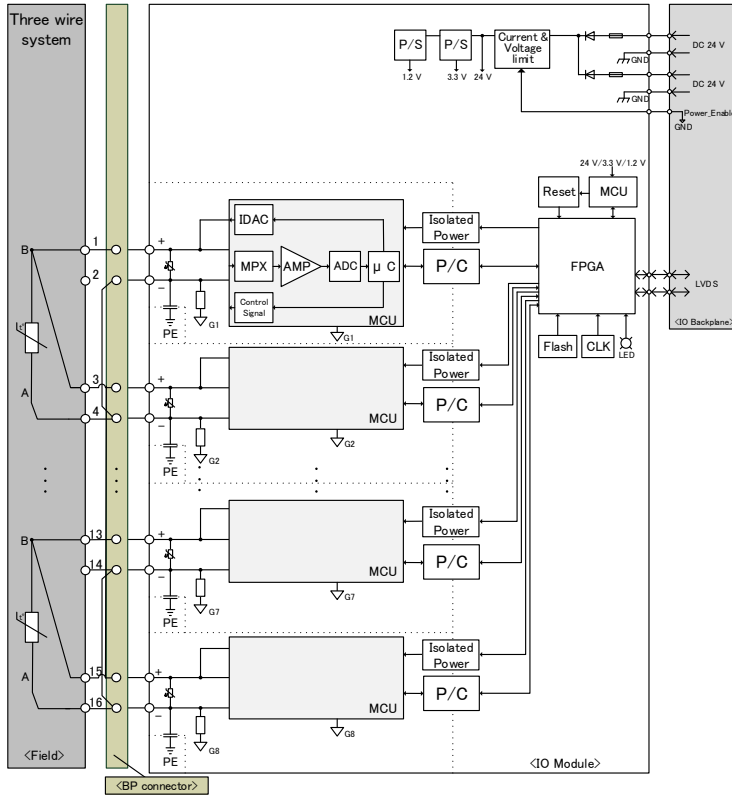
For compliant modules of this product, please refer to "Compliant backplane list (CGS-S9901-E-XX)".

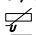

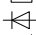
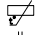
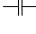

For compliant modules of this product, please refer to "Compliant accessory connector list (CGS-S9902-E-XX)".

LSAIM05 AI module

LS communication RTD inputs : 4 Pt100/Cu10

Block diagram



- P/S : Power supply
- IDAC : Input Digital analog converter
- MPX : Multiplexer
- AMP : Amplifier
- ADC : Analog digital converter
- μ C : Micro controller
- CLK : Clock
- FPGA : Field programmable gate array
- LED : Light emitting diode
- MCU : Micro control unit
- GND,G1 to G8 : Ground
- IOA : I/O adapter
- LVDS : Low Voltage Differential Signaling
- BP : Backplane
- PE : Protective Earth
- P/C : Photocoupler
-  : Varistor
-  : Resistor
-  : Fuse
-  : Diode
-  : Thermistor
-  : Capacitor

When using, please read the instruction manual attached to the product carefully and use it properly.

This catalog may not be distributed or reproduced in whole or in part without permission.

Please be aware that due to product improvements and modifications, the product description in this catalog may differ in certain respects from the actual product.

DIASYS Netmation/DIASYS Netmation4S is a registered trademark of Mitsubishi Heavy Industries, Ltd.

The service names and product names of other companies described in this catalog are the trademarks or registered trademarks of each company.