

LSSVT13 Servo valve interface module

LS communication Transmitter Servo valve interface Valve position demand output (0 to 250 mA/0 to 500 mA)

Summary



* Terminal block input / output unit	
-52 G ON Digital input	: 1
-External forced closed input	: 1
-Valve position demand output	: 1
	03 type : 0 to 250 mA
	04 type : 0 to 500 mA
-Valve position feedback input	: 1
	Distributor input
-Analog output	: 1
-Analog input	: 3
* Auxiliary output connector	
-Analog output	: 3
* USB connector	: 1 (For maintenance communication mini-B)
* Module operating ambient temperature range	: -5 to 60°C

Overview Specifications

ITEM	SPECIFICATION
52 G ON Digital input	DC 24 V × 1, minimum ON Current 2 mA
External forced closed input	DC 24 V × 1, minimum ON Current 2 mA
Valve position demand output	0 to 250 mA / 0 to 500 mA × 1
Valve position feedback input	Distributor input × 1, 4 to 20 mA
Analog output	1 to 5 V DC × 1 (Minus common)
Analog input	1 to 5 V DC × 3 (Minus common)
Analog output(Auxiliary output connector)	1 to 5 V DC × 3
Self-diagnostic functions	Power voltage check, Clock abnormal check, Heartbeat check, CRC check, ADC communication error check, I/O signal range check
IDOL Implementation	Possible
Module Duplication	Supported (backplane uses LSI0B02 or LSI0B03) However, the signal of the auxiliary output connector does not support duplication
Indicator	Display LED × 4: Run / Status / Network status A / Network status B General purpose display LED × 16: Ch 1 to Ch 16 It can be arbitrarily set with internal logic
USB connector	1(For maintenance communication mini-B)
Dielectric strength	AC 2000 V Digital input / output terminal - FG Between AC 1000 V Analog input / output terminal - FG Between
Environmental conditions	Ambient temperature (Operating / Storage) -5 to 60°C Ambient humidity (Operating / Storage) 0 to 95% RH (No condensation)
Operating power supply	DC 24 V ±20% Dual power reception (The voltage supplied from the backplane)
Shock / Vibration	15 G 11 ms / 3.5 mm @5 to 8.4 Hz, 1 G @8.4 to 150 Hz
Dimensions	152.5 mm (D) x 94 mm (H) x 46 mm (W) (Except projection)

LSSVT13 Servo valve interface module

LS communication Transmitter Servo valve interface Valve position demand output (0 to 250 mA/0 to 500 mA)

■Details Specifications

		ITEM	SPECIFICATION		
Terminal block Input / output unit	Ch 1: 52 G ON Digital input	Number of channels	1		
		Insulation method	Photocoupler insulation		
		Dielectric strength	AC 2000 V		
		Current range	ON current	DC 2 mA or more Sense supply voltage: DC 24 V ±10%	
			OFF current	DC 1 mA or less	
	Ch 2: External forced closed input	Number of channels	1		
		Insulation method	Photocoupler insulation		
		Dielectric strength	AC 2000 V		
		Current range	ON current	DC 2 mA or more Sense supply voltage: DC 24 V ±10%	
			OFF current	DC 1 mA or less	
	Ch 3,Ch 4: Valve position demand output *The type of 03/04 is switched by EMS	Number of channels	1		
		Insulation method	Transformer insulation		
		Dielectric strength	AC 1000 V		
		Rated output current	03 type	0 to 250 mA (full scale)	
			04 type	0 to 500 mA (full scale)	
		Load resistance range	03 type	18 to 32 Ω	
			04 type		
		Absolute precision	@25°C	03 type	±0.1% FS (±0.25 mA) @10 to +250 mA
				04 type	±0.1% FS (±0.5 mA) @10 to +500 mA
		Temperature drift	@-5 to 60°C	03 type	±100 ppm/°C (Against full scale)
				04 type	
	Output current monitor			Built-in	
		Absolute precision	@25°C	03 type	±0.3% FS (±0.75 mA) @10 to +250 mA
				04 type	±0.3% FS (±1.5 mA) @10 to +500 mA
		Temperature drift	@-5 to 60°C	03 type	±200 ppm/°C (Against full scale)
			04 type		
	Ch 5: Valve position feedback input (Distributor input)	Number of channels	1		
Insulation method		Transformer insulation (Individual isolation)			
Dielectric strength		AC 1000 V			
Input current range		4 to 20 mA (full scale)			
Output voltage		15 to 30 V (4 to 20 mA)			
Absolute precision		@25°C	±0.15% FS (±0.016 mA)		
Temperature drift		@-5 to 60°C	±100 ppm/°C (Against full scale)		
Ch 7: Analog output (Ch 9-: Common ground)	Number of channels	@-5 to 60°C			
	Insulation method	Digital isolator insulation			
	Dielectric strength	AC 1000 V			
	Rated output voltage	1 to 5 V (full scale)			
	Minimum load resistance	2 kΩ			
	Absolute precision	@25°C	±0.3% FS (±12 mV)		
	Temperature drift	@-5 to 60°C	±200 ppm/°C (Against full scale)		
Ch 8+, Ch 8-, Ch 9+: Analog input (Ch 9-: Common ground)	Number of channels	3			
	Insulation method	Digital isolator insulation			
	Dielectric strength	AC 1000 V			
	Rated input voltage	1 to 5 V (full scale)			
	Input resistance	100 kΩ or more			
	Absolute precision	@25°C	±0.3% FS (±12 mV)		
	Temperature drift	@-5 to 60°C	±200 ppm/°C (Against full scale)		

LSSVT13 Servo valve interface module

LS communication Transmitter Servo valve interface Valve position demand output (0 to 250 mA/0 to 500 mA)

ITEM		SPECIFICATION	
Auxiliary output connector	Analog output	Number of channels	3
		Insulation method	Digital isolator insulation
		Dielectric strength	AC 500 V
		Rated output voltage	1 to 5 V (full scale)
		Minimum load resistance	2 kΩ
		Absolute precision	@25°C ±0.3% FS (±0.12 mV)
		Temperature drift	@-5 to 60°C ±200 ppm/°C (Against full scale)
Calculation cycle usable in DPS		10 msec or more	
Communication specification between IOA	Communication method , Communication speed	LVDS, 100 Mbps	
Self-diagnostic functions		Power voltage check (24 V, 17 V, 3.3 V, 1.2 V, Other) *Refer to Block diagram Clock abnormal check (FPGA-MCU , FPGA-CPU) Heartbeat check (FPGA-MCU , FPGA-CPU) CRC check (FPGA-MCU) ADC communication error check I/O signal range check (Analog input channel: Overrange, Underrange)	
IDOL Implementation		Possible Supplement: IDOL is the logic description language used in DIASYS-UP, DIASYS-UP/V. The internal logic of this module is described in IDOL.	
Module Duplication		Supported (backplane uses LSIOB02 or LSIOB03) However, the signal of the auxiliary output connector does not support duplication	
Protective function (Backplane supply power protection)		Overvoltage protection , Overcurrent protection	
Indicator	Display LED	4: RUN (Run)/STS (Status)/NSA (Network status A)/NSB (Network status B)	
	General purpose display LED	16: Ch 1 to Ch 16 Arbitrarily set by internal logic	
Serial interface	For maintenance	1: USB Serial (USB mini-B connector)	
Hot swap		Possible	
Operating power supply		DC 24 V ±20% Dual power reception (The voltage supplied from the backplane)	
Environmental conditions	Module ambient temperature	(Operating / Storage) -5 to 60°C	
	Module ambient humidity	(Operating / Storage) 0 to 95% RH (No condensation)	
Vibration		3.5 mm @5 to 8.4 Hz 1 G @8.4 to 150 Hz	
Shock		15 G 11 ms	
Current consumption		860 mA or less	
Weight		0.24 kg	
Dimensions		152.5 mm (D) x 94 mm (H) x 46 mm (W) (Except projection)	
Standard/Directive		IEC61131-2:2007, RoHS	

*About compliant module type

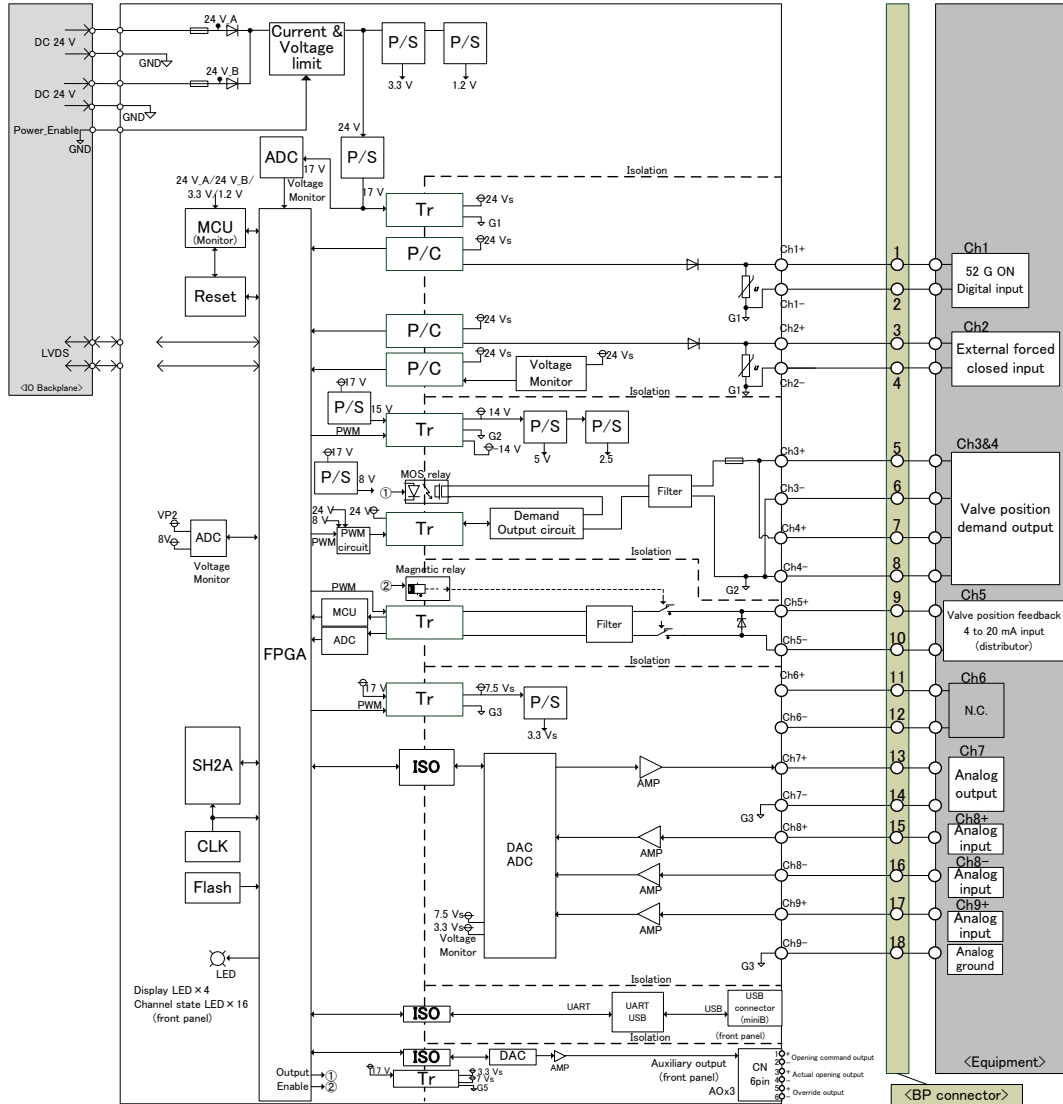
For compliant modules of this product, please refer to "Compliant backplane list (CGS-S9901-E-XX)".

For compliant modules of this product, please refer to "Compliant accessory connector list (CGS-S9902-E-XX)".

LSSVT13 Servo valve interface module

LS communication Transmitter Servo valve interface Valve position demand output (0 to 250 mA/0 to 500 mA)

Block diagram



P/S	: Power supply	MCU	: Micro control unit
SH2A	: Renesas SH-2A micro processor	FPGA	: Field programmable gate array
CLK	: Clock generation circuit	LED	: Light emitting diode
ISO	: Digital isolator	ADC	: Analog digital converter
LPF	: Low pass filter	GND,G1,G2,G3,G4	: Ground
LVDS	: Low Voltage Differential Signaling	BP	: Backplane
DP	: Digital potentiometer	DDS	: Direct digital synthesizer
PWM	: Pulse width modulation	DAC	: Digital analog converter
AMP	: Amplifier	Tr	: Zener diode
P/C	: Photo Coupler	Tr	: Transformer
N.C	: No Connection	CN	: Connector
AO	: Analog Output	Flash	: Flash ROM
Var	: Varistor	Resistor	: Resistor
Fuse	: Fuse	Diode	: Diode

When using, please read the instruction manual attached to the product carefully and use it properly.

This catalog may not be distributed or reproduced in whole or in part without permission.

Please be aware that due to product improvements and modifications, the product description in this catalog may differ in certain respects from the actual product.

DIASYS Netmation/DIASYS Netmation4S is a registered trademark of Mitsubishi Heavy Industries, Ltd.

The service names and product names of other companies described in this catalog are the trademarks or registered trademarks of each company.