

LSRLTS-A001 FXtoLS Adapter (Type2)

AOM01 Dedicated + Side 24.9 Ω Built-in Type (Minimum External Load Resistance)

■ Summary



- * **Summary** : Conversion adapter for mounting D-Ring I/O module on FX terminal block
- * **I/O terminal connection** : Corresponds to current output of channel 8 points (CH1 ± to CH8 ±)
(A minimum external load resistor of 24.9 Ω is built into the + side of the channel.)
- * **Supported modules** : (FX-I/O module)
FXAOM01A/AD
(Load Resistance Specification: 0 to 550 Ω)
FXAOM01B/BD
(Load Resistance Specification: 0 to 750 Ω)

(D-Ring I/O module)
LSAOM01-2-R
(Load Resistance Specification: 24.9 to 750 Ω)
- * **Power supply** : DC 24 V (Connector connection between the FX terminal block)

■ Specifications

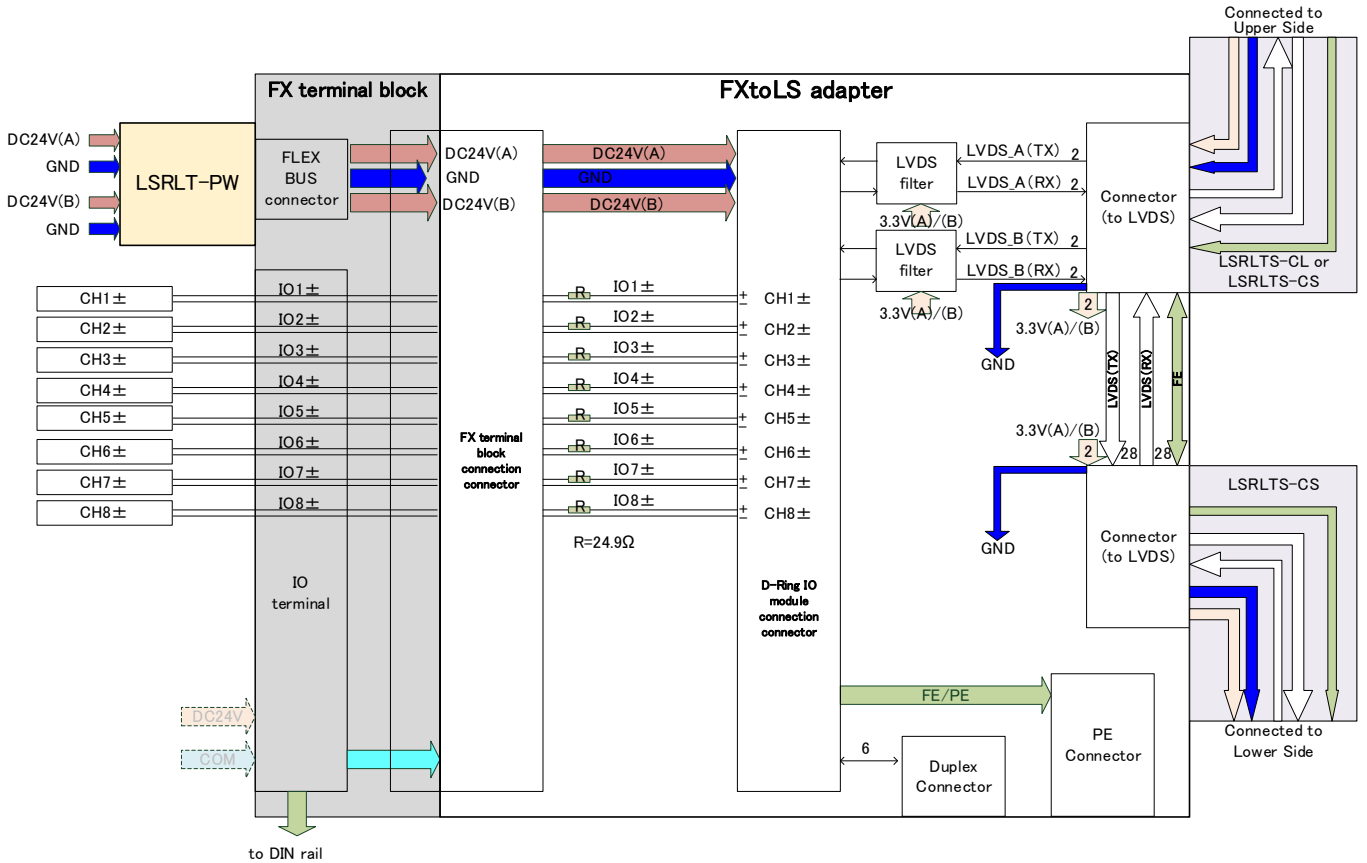
ITEM		SPECIFICATION
Power Specifications	Rated voltage	DC 24 V ±20% (Connector connection between the FX terminal block)
	Redundancy method	Independent two-line power supply
Communication method		LVDS
FX terminal block connector	Number of channels	1
	Rated voltage	DC 300 V / AC 264 V (Field I/O Signal Line)
	Rated current	2 A (I/O signal line)
I/O module connector	Number of channels	1
LVDS communication connector	Number of channels	2
PE connector	Number of channels	1
Duplex cable connector	Number of channels	1
I/O channel		8ch (Built-in minimum load resistance of 24.9Ω on the positive side)
Supported module	FX-I/O module	FXAOM01A/AD (Load Resistance Specification: 0 to 550 Ω) FXAOM01B/BD (Load Resistance Specification: 0 to 750 Ω)
	D-Ring I/O module	LSAOM01-2-R (Load Resistance Specification: 24.9 to 750 Ω)
Environmental condition	Module ambient temperature	(Operating) 0 to 55°C (Storage) -40 to 85°C
	Module ambient humidity	(Operating / Storage) 5 to 95% RH (No condensation)
Vibration	3.5 mm @ 5 Hz to 8.4 Hz 1 G @ 8.4 Hz to 150 Hz	
Shock	15 G 11 ms	
Weight	0.17 kg	
Dimensions	55 mm (D) x 94 mm (H) x 46.5 mm (W) (Except projection)	
Standard/Directive	IEC 61131-2 : 2017, RoHS directive	

(Caution) When replacing from a FX-I/O module to a D-Ring I/O module, carefully check the specifications of the corresponding D-Ring I/O module.

LSRLTS-A001 FXtoLS Adapter (Type2)

AOM01 Dedicated + Side 24.9 Ω Built-in Type (Minimum External Load Resistance)

■ Block diagram



LVDS : Low Voltage Differential Signaling
 GND : Ground
 COM : Common
 FE : Functional Earth
 PE : Protective Earth

When using, please read the instruction manual attached to the product carefully and use it properly.

This catalog may not be distributed or reproduced in whole or in part without permission.

Please be aware that due to product improvements and modifications, the product description in this catalog may differ in certain respects from the actual product.

DIASYS Netmation/DIASYS Netmation4S is a registered trademark of Mitsubishi Heavy Industries, Ltd.

The service names and product names of other companies described in this catalog are the trademarks or registered trademarks of each company.