

LSRLT-PW FXtoLS Power connector

D-Ring I/O module power supply connector (For FX terminal block)

■ Summary



- *Power supply : DC 24 V
- *Input : External input connector
- *Output : FLEX BUS connector

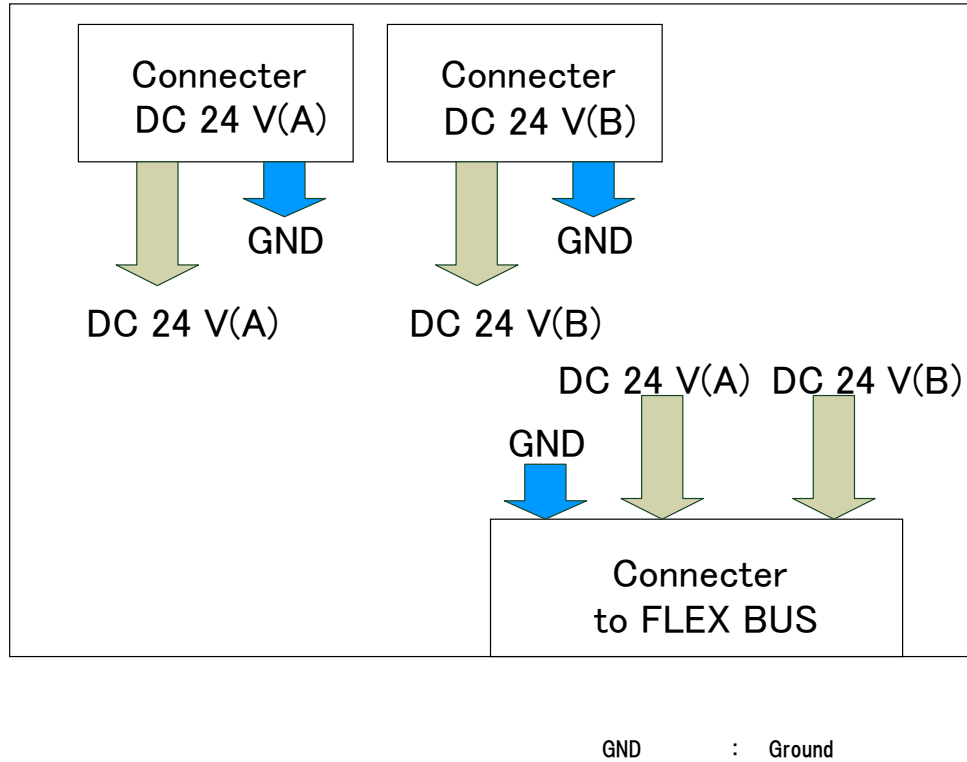
■ Specifications

ITEM		SPECIFICATION
Power Specifications	Rated voltage	DC 24 V \pm 20%
	Redundancy method	Receiving of two independent systems
Power connector	Number of channels	1
	Rated current	3 A
	Applicable wire diameter	0.13 to 3.31 mm ² (AWG 26 to AWG 12)
	Wire holding structure	Screw type (M2.5)
	Wire peeling length	7 mm
	Tightening torque	0.4 Nm to 0.5 Nm
FX terminal block connector	Number of channels	1
	Rated voltage	DC 24 V
	Rated current	2 A
Interface		Power input connector : 1 (Two system) Output connector for power supply : 1 (FLEX BUS connector)
Environmental conditions	Module ambient temperature	(Operating) 0 to 55°C (Storage) -40 to 85°C
	Module ambient humidity	(Operating / Storage) 5 to 95% RH (No condensation)
Vibration		3.5 mm @ 5 Hz to 8.4 Hz 1 G @ 8.4 Hz to 150 Hz
Shock		15 G 11 ms
Weight		0.04 kg
Dimensions		26.8 mm (D) x 36 mm (H) x 80.6 mm (W) (Except projection)
Standard/Directive		EN 61131-2:2007, RoHS directive

LSRLT-PW FXtoLS Power connector

D-Ring I/O module power supply connector (For FX terminal block)

■ Block diagram



When using, please read the instruction manual attached to the product carefully and use it properly.

This catalog may not be distributed or reproduced in whole or in part without permission.

Please be aware that due to product improvements and modifications, the product description in this catalog may differ in certain respects from the actual product.

DIASYS Netmation/DIASYS Netmation4S is a registered trademark of Mitsubishi Heavy Industries, Ltd.

The service names and product names of other companies described in this catalog are the trademarks or registered trademarks of each company.