

LSRLT-CL LSRLT0B-01 dedicated LVDS communication cable

LVDS Communication cable

■ Summary



*LVDS cable : LSRLT0B-01 dedicated LVDS communication cable

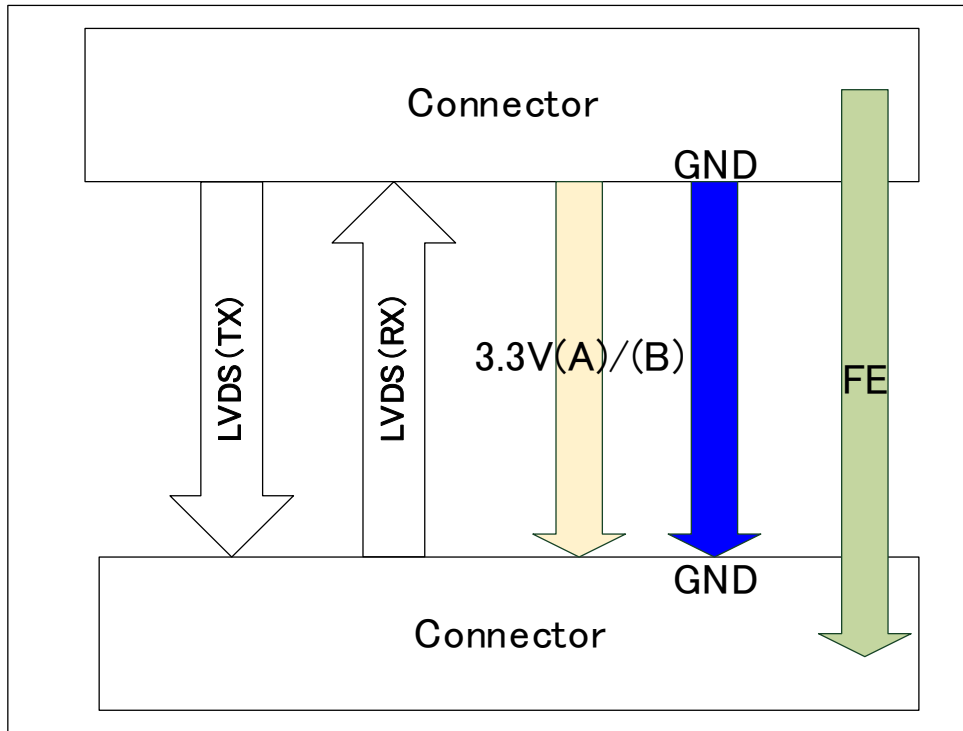
■ Specifications

ITEM		SPECIFICATION
Applicable modules		LSRLT0B-01 dedicated LVDS communication cable
Cable length		2 m, 3 m
Withstand voltage		AC 200 V
Insulation resistance		More than 100 MΩ (DC 250 V)
Rated voltage		DC 3.3 V
Rated current		0.1 A / 1 Terminal
Connector	DT11S-100S-10-T	Floating connector with 0.5 mm pitch shell (100 Pin) 8.18 mm (D) x 31.4 mm (H) x 6.2 mm (W)
	Flamability class UL94	V-0
Signal & communication cable	Conductor cross-sectional area	0.003 mm ² / AWG 42
	Number of cores	80
	Finished outer diameter	7 to 7.5 mm
	Sheath	Polyolefin
	Conductor resistance	7.5 Ω/m @ 20°C
	Bending radius	50 mm
Connector	USLS20-40	0.4 mm pitch micro coaxial cable connector / Stack connection type (40 Pin) 1.58 mm (D) x 21.4 mm (H) x 3.05 mm (W)
	Flamability class UL94	V-0
Environmental conditions	Ambient temperature	(Operating) 0 to 55°C (Storage) -40 to 85°C
	Ambient humidity	(Operating / Storage) 5 to 95% RH (No condensation)
Vibration		3.5 mm @ 5 Hz to 8.4 Hz 1 G @ 8.4 Hz to 150 Hz
Shock		15 G 11 ms
Weight		0.17 kg (2 m)
		0.22 kg (3 m)
Dimensions		26.8 mm (D) x 36 mm (H) x 80.6 mm (W) (Except projection)
Standard/Directive		IEC 61131-2 : 2017, RoHS directive

LSRLT-CL LSRLT0B-01 dedicated LVDS communication cable

LVDS Communication cable

■ Block diagram



LVDS	:	Low Voltage Differential Signaling
GND	:	Ground
FE	:	Functional Earth

When using, please read the instruction manual attached to the product carefully and use it properly.

This catalog may not be distributed or reproduced in whole or in part without permission.

Please be aware that due to product improvements and modifications, the product description in this catalog may differ in certain respects from the actual product.

DIASYS Netmation/DIASYS Netmation4S is a registered trademark of Mitsubishi Heavy Industries, Ltd.

The service names and product names of other companies described in this catalog are the trademarks or registered trademarks of each company.

DIASYS Netmation®
DIASYS Netmation4S

Mitsubishi Power is a power solutions brand of Mitsubishi Heavy Industries.