

LSRLTS-CS LVDS Connection Parts

LVDS communication cable

Summary



*LVDS connection parts : LVDS communication cable

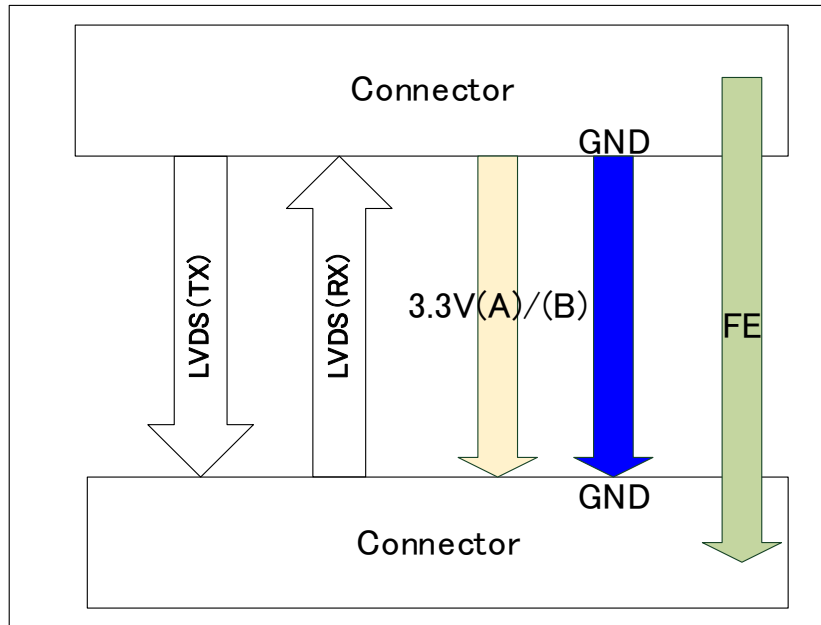
Specifications

ITEM		SPECIFICATION
Applicable modules		LSRLTS-AI01, LSRLTS-A001, LSRLTS-AI04, LSRLTS-AI05, LSRLTS-DI01, LSRLTS-DI11, LSRLTS-AI01R, LSRLTS-EOS, LSRLTS-OPC, LSRLTS-DO01, LSRLTS-GTI-D, LSRLTS-GTI-P
Withstand voltage		AC 200 V
Insulation resistance		More than 100 MΩ (DC 250 V)
Rated voltage		DC 3.3 V
Rated current		0.1 A / 1 Terminal
Connector	DT11S-100S-10-T	Floating connector with 0.5 mm pitch shell (100 Pin) 8.18 mm (D) x 31.4 mm (H) x 6.2 mm (W)
	Flamability class	UL94 V-0
Environmental conditions	Ambient temperature	(Operating) 0 to 55°C (Storage) -40 to 85°C
	Ambient humidity	(Operating / Storage) 5 to 95% RH (No condensation)
Vibration		3.5 mm @ 5 Hz to 8.4 Hz 1 G @ 8.4 Hz to 150 Hz
Shock		15 G 11 ms
Weight		0.02 kg
Dimensions		8.8 mm (D) x 84 mm (H) x 24 mm (W) (Except projection)
Standard/Directive		IEC 61131-2 : 2017, RoHS directive

LSRLTS-CS LVDS Connection Parts

LVDS communication cable

■ Block diagram



LVDS : Low Voltage Differential Signaling
 GND : Ground
 FE : Functional Earth

When using, please read the instruction manual attached to the product carefully and use it properly.

This catalog may not be distributed or reproduced in whole or in part without permission.

Please be aware that due to product improvements and modifications, the product description in this catalog may differ in certain respects from the actual product.

DIASYS Netmation/DIASYS Netmation4S is a registered trademark of Mitsubishi Heavy Industries, Ltd.

The service names and product names of other companies described in this catalog are the trademarks or registered trademarks of each company.