

LSRLTS-CR Duplex Cable

Duplex Cable

■ Summary



*Duplex Cable

: Duplex Cable

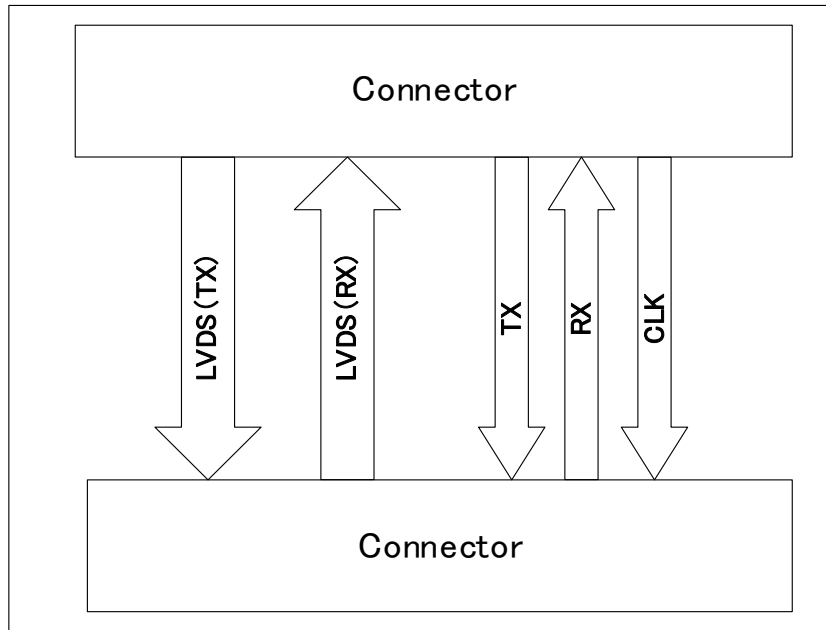
■ Specifications

ITEM		SPECIFICATION
Applicable modules		LSRLTS-AI01, LSRLTS-A001, LSRLTS-D001
Cable length		3m
Withstand voltage		AC 200 V
Insulation resistance		More than 100 MΩ (DC 250 V)
Rated voltage		DC 3.3 V
Rated current		0.1 A / 1 Terminal
Connector	FX16-21P-0.5SD	0.5 mm pitch cable to board connector (21P) 21.9 mm (D) x 13.3 mm (H) x 3.5 mm (W)
	Flamability class	UL94 V-0
	Dimensions (Include mold)	21.9 mm (D) x 26.3 mm (H) x 5.5 mm (W)
Environmental conditions	Ambient temperature	(Operating) 0 to 55°C (Storage) -40 to 85°C
	Ambient humidity	(Operating / Storage) 5 to 95% RH (No condensation)
Vibration		3.5 mm @ 5 Hz to 8.4 Hz 1 G @ 8.4 Hz to 150 Hz
Shock		15 G 11 ms
Weight		0.02 kg
Standard/Directive		IEC 61131-2 : 2017, RoHS directive

LSRLTS-CR Duplex Cable

Duplex Cable

■ Block diagram



LVDS : Low Voltage Differential Signaling

When using, please read the instruction manual attached to the product carefully and use it properly.

This catalog may not be distributed or reproduced in whole or in part without permission.

Please be aware that due to product improvements and modifications, the product description in this catalog may differ in certain respects from the actual product.

DIASYS Netmation/DIASYS Netmation4S is a registered trademark of Mitsubishi Heavy Industries, Ltd.

The service names and product names of other companies described in this catalog are the trademarks or registered trademarks of each company.