

FXDIM02 DI module

ControlNet™ FLEX I/O™ DC48V digital inputs : 16

*ControlNet™ is ControlNet International's registered trademark.
*FLEX I/O™ is Rockwell Automation's registered trademark.



■ Outline

- * Number of inputs : 16
- * Rated input voltage : DC48V
- * FLEX I/O™ / ControlNet™ LAN compatible

ITEM	SPECIFICATION
Number of inputs	16
Isolation	Opto-isolation Current sourcing input with a (-)common return
Rated input voltage	DC48V
Rated input current	5mA
Minimum on current	1.8mA
Input filter	Digital filter 0ms, 5ms, 10ms, 50ms (Program selectable, whole channels batch setting)
Self-diagnostic functions	Watchdog timer Power supply voltage low Bus time-out
Indicator	LED × 1 2 modes Green (Normal) Red (Abnormal) LED × 16 Yellow (ON) Off (OFF)
Compatible terminal bases	1794 - TB3/TB3S
Dielectric strength	AC1500V Between input terminal and FG (1min.)
Environmental conditions	(Operating) Temperature: 0 ~ 55 °C Humidity: 35 ~ 95 % RH (No condensation) (Storage) Temperature: -10 ~ 70 °C Humidity: Less than 80 % RH (No condensation)
Power supply	DC 48V ± 10% / Less than 90mA DC 5V / Less than 80mA (FLEX BUS)
Shock/Vibration	15G / 2G @ 10~500Hz
Dimensions	75mmD × 46mmH × 94mmW

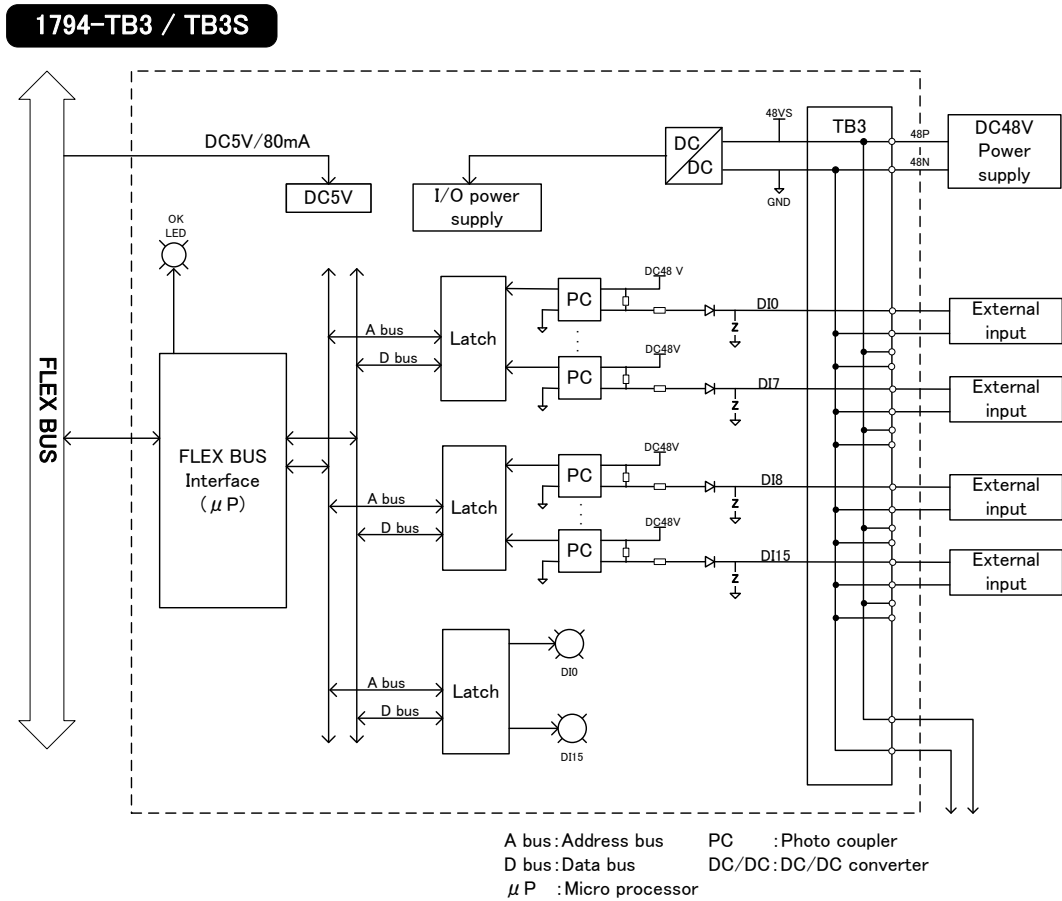
This product incorporates technology which is licensed from Rockwell Automation Technologies, Inc. Rockwell Automation Technologies, Inc. has not technically approved, nor does it warrant or support this product. All warranty and support for this product and its application is provided solely by MITSUBISHI HITACHI POWER SYSTEMS, LTD.

FXDIM02 DI module

ControlNet™ FLEX I/O™ DC48V digital inputs : 16

*ControlNet™ is ControlNet International's registered trademark.
 *FLEX I/O™ is Rockwell Automation's registered trademark.

FXDIM02 block diagram



Please read the attached instruction manual carefully before use.
 Reproduction of this manual's contents in whole or in part without permission is prohibited.
 Please note the product introductions in this manual may be different from the real products due to product improvements etc.