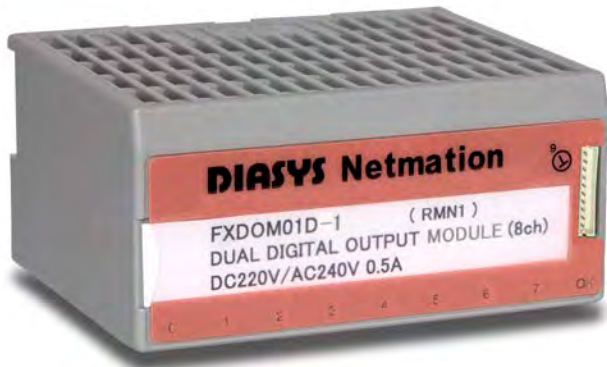


FXDOM01D-1 DO module

ControlNet™ FLEX I/O™ Digital outputs : 8 Duplicated correspondence Duplicated connector (White)

*ControlNet™ is ControlNet International's registered trademark.
 *FLEX I/O™ is Rockwell Automation's registered trademark.
 *PhotoMOS® is Panasonic's registered trademark.



■ Outline

- * Number of outputs: 8
- * Duplicated correspondence
- * FLEX I/O™ / ControlNet™ LAN compatible

ITEM	SPECIFICATION
Number of outputs	8
Isolation	Opto-isolation Individual
Contact	MOSFET N.O. PhotoMOS® Relay
Output voltage	(1794-TB3) DC120V/AC120V 0.5A (1794-TBN) DC220V/AC230V 0.5A
Output leakage current	Maximum 10 μA
Output ON resistance	Maximum 3.2 Ω
Self-diagnostic functions	Watchdog timer Power supply voltage low Connector omission for mutual monitoring cable. Bus time-out
Indicator	LED×1 3 modes Green (Control) Yellow (Standby) Red (Abnormal) LED×8 Yellow (ON) Off (OFF)
Compatible terminal bases	1794 - TB3/TB3S 1794 - TBN/TBNF
Dielectric strength	AC1500V Between output terminal and FG (1min.) Between output channels (1min.)
Environmental conditions	(Operating) Temperature: 0 ~ 55 °C Humidity: 35 ~ 95 % RH (No condensation) (Storage) Temperature: -10 ~ 70 °C Humidity: Less than 80 % RH (No condensation)
Power supply	DC 24V±10% / Less than 40mA DC 5V / Less than 80mA (FLEX BUS)
Shock/Vibration	15G / 2G @ 10~500Hz
Dimensions	75mmD×46mmH×94mmW

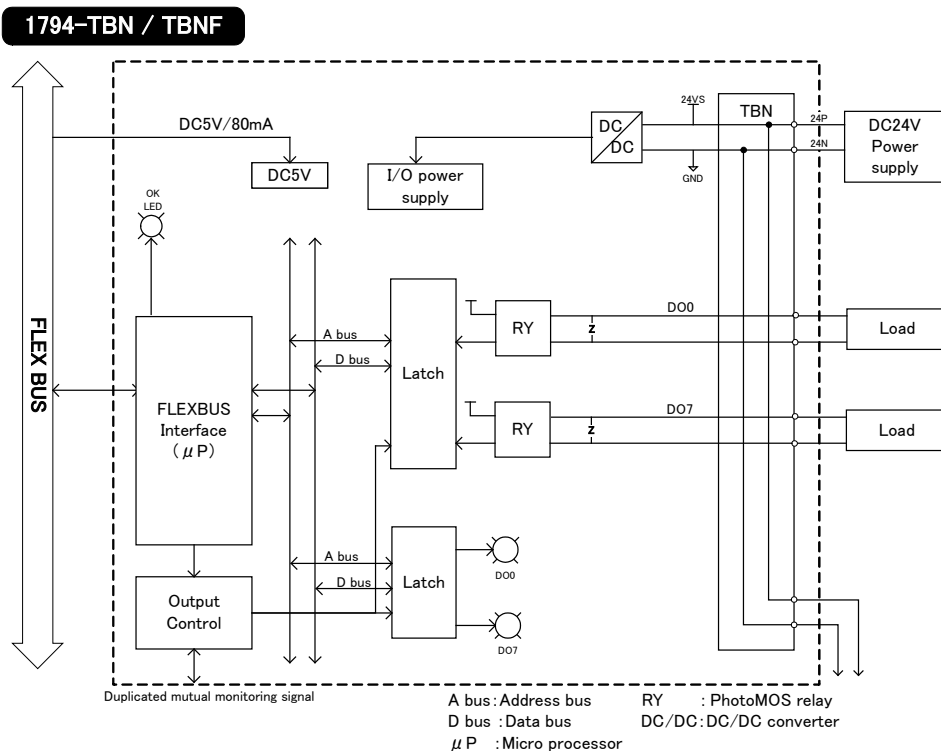
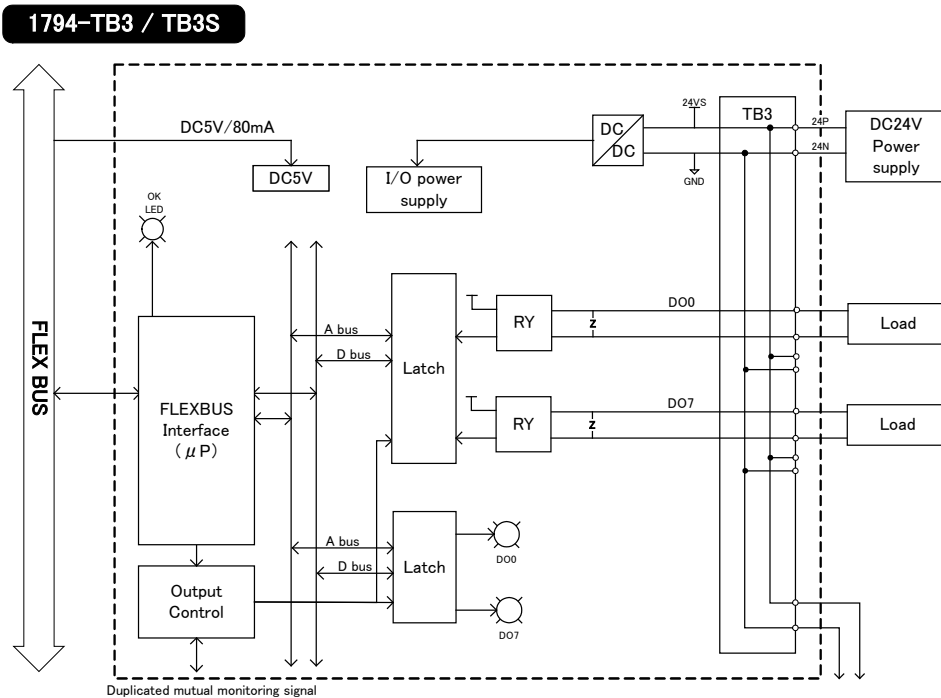
This product incorporates technology which is licensed from Rockwell Automation Technologies, Inc.
 Rockwell Automation Technologies, Inc. has not technically approved, nor does it warrant or support this product.
 All warranty and support for this product and its application is provided solely by MITSUBISHI HITACHI POWER SYSTEMS, LTD.

FXDOM01D-1 DO module

ControlNet™ FLEX I/O™ Digital outputs : 8 Duplicated correspondence Duplicated connector (White)

*ControlNet™ is ControlNet International's registered trademark.
 *FLEX I/O™ is Rockwell Automation's registered trademark.
 *PhotoMOS® is Panasonic's registered trademark.

FXDOM01D-1 block diagram



Please read the attached instruction manual carefully before use.
 Reproduction of this manual's contents in whole or in part without permission is prohibited.
 Please note the product introductions in this manual may be different from the real products due to product improvements etc.