

LSACT18B-R Accessory connector

Screw type, 0.3 to 2.0 mm², Screw latch, Ring Terminal screw-up type, 17 pins with RTD (Between 15 to 16 pin)

Summary



- * Wire holding structure : Screw type
- * Wire size : 0.3 to 2.0 mm²
- * Accessory connector : Screw Fixing
rock method
- * Number of pins : 17
- * RTD : 1 (Between 15 to 16 pin)

Specifications

ITEM		SPECIFICATION
Classification		Ring Terminal screw-up type*1
Connection Type		Built-in RTD (Between 15 to 16 pin)
Attachment position on the IOM Backplane		Right side
Tightening torque (to the IOM Backplane)		0.2 to 0.25 Nm (Recommendation)
Number of pins		17
Pitch		10 mm
Wire holding structure		Screw type
Screw size		M3.5
Tightening torque		Recommendation 0.7 Nm, Maximum 1.0 Nm
Power supply (IEC)		250 V DC*2
Rated current (IEC)		3 A
Dielectric strength		2000 V AC (Between neighbor pins)*2
Wire size		Solid/Flexible: 0.3 to 2.0 mm ² (AWG 22 to AWG 15)
Stripping length		Ring terminal diameter is less than 8 mm
Flamability class UL94		V-2
Environmental conditions	Ambient temperature	(Operating) -5 to 60°C (Storage) -40 to 70°C
	Ambient humidity	(Operating) Less than 85% RH (No condensation) (Storage) Less than 85% RH (No condensation)
Weight		0.13 kg
Dimensions		41.6 mm (D) x 57.4 mm (H) x 102 mm (W) (Except projection)

*1: screw-up type: It is a terminal block of screw dropout prevention function type.

*2:(Caution) Applied voltage of the connector pin is the rating voltage or less.

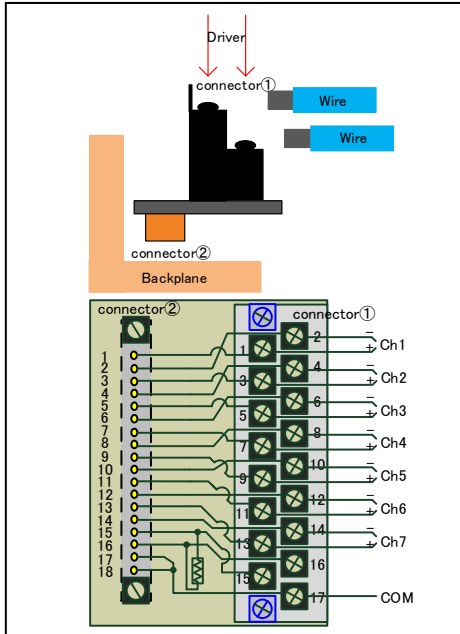
15 pin and 16 pin of the connector have internal RTD. Therefore, don't connect the wire and apply the voltage from the outside.

About compliant module type:

For compliant modules of this product, please refer to "Compliant accessory connector list (CGS-S9902-E-XX)".

LSACT18B-R Accessory connector

Screw type, 0.3 to 2.0 mm², Screw latch, Ring Terminal screw-up type, 17 pins with RTD (Between 15 to 16 pin)



When using, please read the instruction manual attached to the product carefully and use it properly.

This catalog may not be distributed or reproduced in whole or in part without permission.

Please be aware that due to product improvements and modifications, the product description in this catalog may differ in certain respects from the actual product.

DIASYS Netmotion/DIASYS Netmotion4S is a registered trademark of Mitsubishi Heavy Industries, Ltd.

The service names and product names of other companies described in this catalog are the trademarks or registered trademarks of each company.

LSACT18B-L Accessory connector

Screw type, 0.3 to 2.0 mm², Screw latch, Ring Terminal screw-up type, 17 pins with RTD (Between 15 to 16 pin)

Summary



- * Wire holding structure : Screw type
- * Wire size : 0.3 to 2.0 mm²
- * Accessory connector : Screw Fixing
rock method
- * Number of pins : 17
- * RTD : 1 (Between 15 to 16 pin)

Specifications

ITEM		SPECIFICATION
Classification		Ring Terminal screw-up type*1
Connection Type		Built-in RTD (Between 15 to 16 pin)
Attachment position on the IOM Backplane		Left side
Tightening torque (to the IOM Backplane)		0.2 to 0.25 Nm (Recommendation)
Number of pins		17
Pitch		10 mm
Wire holding structure		Screw type
Screw size		M3.5
Tightening torque		Recommendation 0.7 Nm, Maximum 1.0 Nm
Power supply (IEC)		250 V DC*2
Rated current (IEC)		3 A
Dielectric strength		2000 V AC (Between neighbor pins)*2
Wire size		Solid/Flexible: 0.3 to 2.0 mm ² (AWG 22 to AWG 15)
Stripping length		Ring terminal diameter is less than 8 mm
Flamability class UL94		V-2
Environmental conditions	Ambient temperature	(Operating) -5 to 60°C (Storage) -40 to 70°C
	Ambient humidity	(Operating) Less than 85% RH (No condensation) (Storage) Less than 85% RH (No condensation)
Weight		0.13 kg
Dimensions		41.6 mm (D) x 57.4 mm (H) x 102 mm (W) (Except projection)

*1: screw-up type: It is a terminal block of screw dropout prevention function type.

*2:(Caution) Applied voltage of the connector pin is the rating voltage or less.

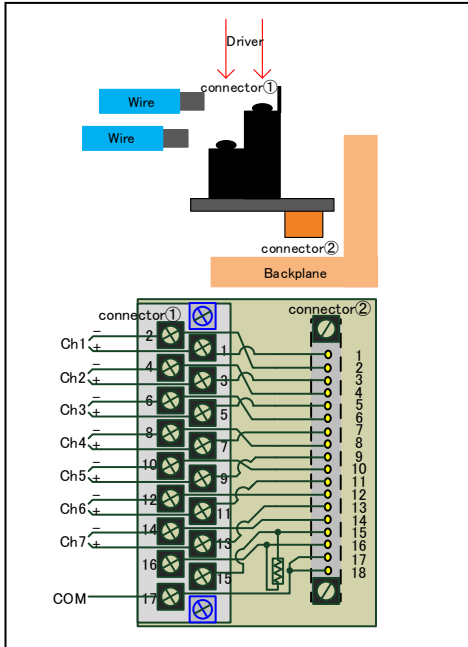
15 pin and 16 pin of the connector have internal RTD. Therefore, don't connect the wire and apply the voltage from the outside.

About compliant module type:

For compliant modules of this product, please refer to "Compliant accessory connector list (CGS-S9902-E-XX)".

LSACT18B-L Accessory connector

Screw type, 0.3 to 2.0 mm², Screw latch, Ring Terminal screw-up type, 17 pins with RTD (Between 15 to 16 pin)



When using, please read the instruction manual attached to the product carefully and use it properly.

This catalog may not be distributed or reproduced in whole or in part without permission.

Please be aware that due to product improvements and modifications, the product description in this catalog may differ in certain respects from the actual product.

DIASYS Netmotion/DIASYS Netmotion4S is a registered trademark of Mitsubishi Heavy Industries, Ltd.

The service names and product names of other companies described in this catalog are the trademarks or registered trademarks of each company.