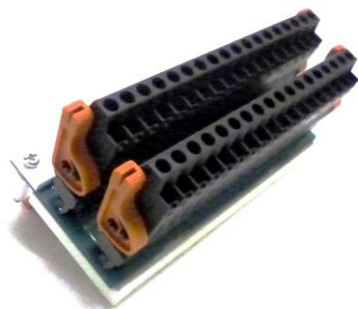


LSACT20A-R Accessory connector

Screw type, 0.2 to 1.5 mm², Screw latch, 36 pin type, DI Dual parallel input-only

Summary



- * Wire holding structure : Screw type
- * Wire size (Ferrule) : 0.2 to 1.5 mm²
- * Accessory connector rock method : Screw Fixing
- * Number of pins : 36
- * DI Dual parallel input-only (Source Input)

Specifications

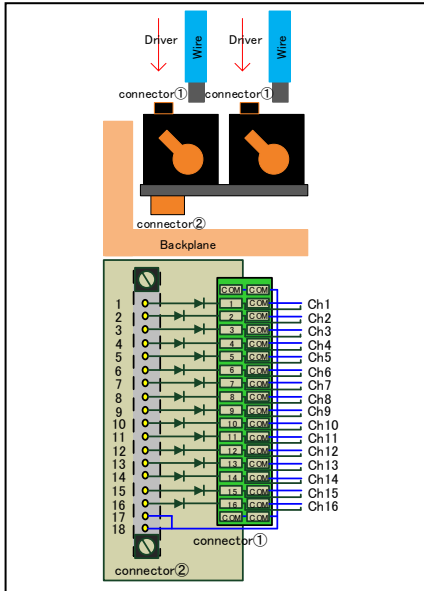
ITEM		SPECIFICATION
Classification		36 pins type DI Dual parallel input-only
Connection Type		16 ch Minus common
Attachment position on the IOM Backplane		Right side
Tightening torque (to the IOM Backplane)		0.2 to 0.25 Nm (Recommendation)
Number of pins		36
Pitch		5.08 mm
Wire holding structure		Screw type
Screw size		M2.5
Tightening torque		Minimum 0.4 Nm, Maximum 0.5 Nm
Power supply (IEC)		320 V
Rated current (IEC)		1 A
Dielectric strength		1500 V AC (Between neighbor pins)
Wire size		Wire end ferrule with isolation cover 0.2 to 1.5 mm ² (AWG 24 to AWG 16)
		Flexible 0.2 to 1.5 mm ² (AWG 24 to AWG 16)
Stripping length		13 mm
Flamability class UL94		V-0
Environmental conditions	Ambient temperature	(Operating) -5 to 60°C (Storage) -25 to 55°C
	Ambient humidity	(Operating) Less than 95% RH (No condensation) (Storage) Less than 80% RH (No condensation)
Weight		0.17 kg
Dimensions		50.0 mm (D) x 58.0 mm (H) x 102.0 mm (W) (Except projection)

About compliant module type:

For compliant modules of this product, please refer to "Compliant accessory connector list (CGS-S9902-E-XX)".

LSACT20A-R Accessory connector

Screw type, 0.2 to 1.5 mm², Screw latch, 36 pin type, DI Dual parallel input-only



When using, please read the instruction manual attached to the product carefully and use it properly.

This catalog may not be distributed or reproduced in whole or in part without permission.

Please be aware that due to product improvements and modifications, the product description in this catalog may differ in certain respects from the actual product.

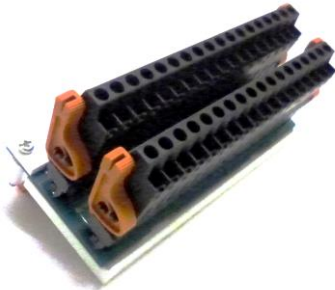
DIASYS Netmation/DIASYS Netmation4S is a registered trademark of Mitsubishi Heavy Industries, Ltd.

The service names and product names of other companies described in this catalog are the trademarks or registered trademarks of each company.

LSACT20A-L Accessory connector

Screw type, 0.2 to 1.5 mm², Screw latch, 36 pin type, DI Dual parallel input-only

Summary



- * Wire holding structure : Screw type
- * Wire size (Ferrule) : 0.2 to 1.5 mm²
- * Accessory connector rock method : Screw Fixing
- * Number of pins : 36
- * DI Dual parallel input-only (Source Input)

Specifications

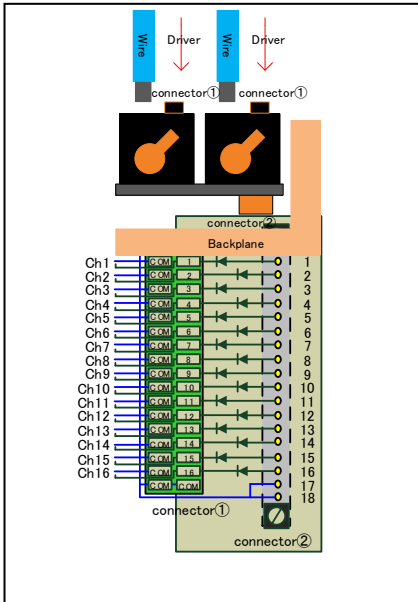
ITEM		SPECIFICATION
Classification		36 pins type DI Dual parallel input-only
Connection Type		16 ch Minus common
Attachment position on the IOM Backplane		Left side
Tightening torque (to the IOM Backplane)		0.2 to 0.25 Nm (Recommendation)
Number of pins		36
Pitch		5.08 mm
Wire holding structure		Screw type
Screw size		M2.5
Tightening torque		Minimum 0.4 Nm, Maximum 0.5 Nm
Power supply (IEC)		320 V
Rated current (IEC)		1 A
Dielectric strength		1500 V AC (Between neighbor pins)
Wire size		Wire end ferrule with isolation cover 0.2 to 1.5 mm ² (AWG 24 to AWG 16)
		Flexible 0.2 to 1.5 mm ² (AWG 24 to AWG 16)
Stripping length		13 mm
Flamability class UL94		V-0
Environmental conditions	Ambient temperature	(Operating) -5 to 60°C (Storage) -25 to 55°C
	Ambient humidity	(Operating) Less than 95% RH (No condensation) (Storage) Less than 80% RH (No condensation)
Weight		0.17 kg
Dimensions		50.0 mm (D) x 58.0 mm (H) x 102.0 mm (W) (Except projection)

About compliant module type:

For compliant modules of this product, please refer to "Compliant accessory connector list (CGS-S9902-E-XX)".

LSACT20A-L Accessory connector

Screw type, 0.2 to 1.5 mm², Screw latch, 36 pin type, DI Dual parallel input-only



When using, please read the instruction manual attached to the product carefully and use it properly.

This catalog may not be distributed or reproduced in whole or in part without permission.

Please be aware that due to product improvements and modifications, the product description in this catalog may differ in certain respects from the actual product.

DIASYS Netmotion/DIASYS Netmotion4S is a registered trademark of Mitsubishi Heavy Industries, Ltd.

The service names and product names of other companies described in this catalog are the trademarks or registered trademarks of each company.