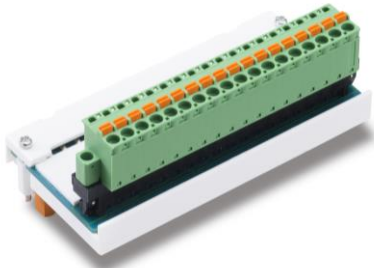


LSACT22-R Accessory connector

Spring type (Push IN), 0.25 to 2.5 mm², Screw latch, 18 pin type Thermocouple input-only (7 points)

Summary



- * Wire holding structure : Spring type (Push IN)
- * Wire size (Ferrule) : 0.25 to 2.5 mm²
- * Accessory connector rock method : Screw Fixing
- * Number of pins : 18
- * Built-in RTD for cold junction compensation : 1 (Between 15 to 16 pin)
- * Thermocouple input-only (7 points)

Specifications

ITEM		SPECIFICATION
Classification		18 pins type Thermocouple input-only (7 points)
Connection Type		Built-in RTD for cold junction compensation (Between 15 to 16 pin)
Attachment position on the IOM Backplane		Right side
Tightening torque (to the IOM Backplane)		0.2 to 0.25 Nm (Recommendation)
Number of pins		18
Pitch		5.08 mm
Wire holding structure		Spring type (Push IN)
Screw size		-
Tightening torque		-
Power supply (IEC)		50 V* ¹
Rated current (IEC)		3 A
Dielectric strength		500 V AC (Between neighbor pins)* ¹
Wire size		Wire end ferrule with isolation cover 0.25 to 2.5 mm ² (AWG 24 to AWG 14)
		Flexible 0.2 to 2.5 mm ² (AWG 24 to AWG 14)
Stripping length		10 mm
Flamability class UL94		V-0
Environmental conditions	Ambient temperature	(Operating) -5 to 60°C (Storage) -25 to 55°C
	Ambient humidity	(Operating) Less than 95% RH (No condensation) (Storage) Less than 80% RH (No condensation)
Weight		0.09 kg
Dimensions		50.0 mm (D) x 52.0 mm (H) x 102.0 mm (W) (Except projection)

*1:(Caution) Applied voltage of the connector pin is the rating voltage or less.

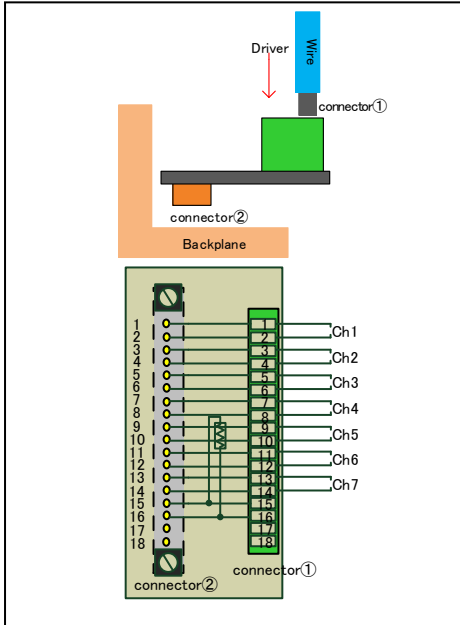
15 pin and 16 pin of the connector have internal RTD. Therefore, don't connect the wire and apply the voltage from the outside.

About compliant module type:

For compliant modules of this product, please refer to "Compliant accessory connector list (CGS-S9902-E-XX)".

LSACT22-R Accessory connector

Spring type (Push IN) , 0.25 to 2.5 mm², Screw latch, , 18 pin type Thermocouple input-only (7 points)



When using, please read the instruction manual attached to the product carefully and use it properly.

This catalog may not be distributed or reproduced in whole or in part without permission.

Please be aware that due to product improvements and modifications, the product description in this catalog may differ in certain respects from the actual product.

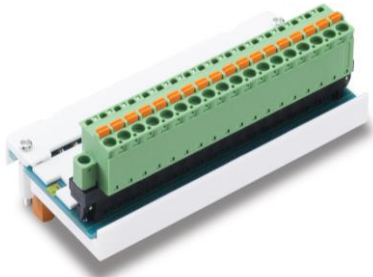
DIASYS Netmation/DIASYS Netmation4S is a registered trademark of Mitsubishi Heavy Industries, Ltd.

The service names and product names of other companies described in this catalog are the trademarks or registered trademarks of each company.

LSACT22-L Accessory connector

Spring type (Push IN) , 0.25 to 2.5 mm², Screw latch, , 18 pin type Thermocouple input-only (7 points)

Summary



- * Wire holding structure : Spring type (Push IN)
- * Wire size (Ferrule) : 0.25 to 2.5 mm²
- * Accessory connector rock method : Screw Fixing
- * Number of pins : 18
- * Built-in RTD for cold junction compensation : 1 (Between 15 to 16 pin)
- * Thermocouple input-only (7 points)

Specifications

ITEM	SPECIFICATION
Classification	18 pins type Thermocouple input-only (7 points)
Connection Type	Built-in RTD for cold junction compensation (Between 15 to 16 pin)
Attachment position on the IOM Backplane	Left side
Tightening torque (to the IOM Backplane)	0.2 to 0.25 Nm (Recommendation)
Number of pins	18
Pitch	5.08 mm
Wire holding structure	Spring type (Push IN)
Screw size	-
Tightening torque	-
Power supply (IEC)	50 V* ¹
Rated current (IEC)	3 A
Dielectric strength	500 V AC (Between neighbor pins)* ¹
Wire size	Wire end ferrule with isolation cover 0.25 to 2.5 mm ² (AWG 24 to AWG 14)
	Flexible 0.2 to 2.5 mm ² (AWG 24 to AWG 14)
Stripping length	10 mm
Flamability class UL94	V-0
Environmental conditions	Ambient temperature (Operating) -5 to 60°C (Storage) -25 to 55°C
	Ambient humidity (Operating) Less than 95% RH (No condensation) (Storage) Less than 80% RH (No condensation)
Weight	0.09 kg
Dimensions	50.0 mm (D) x 52.0 mm (H) x 102.0 mm (W) (Except projection)

*1:(Caution) Applied voltage of the connector pin is the rating voltage or less.

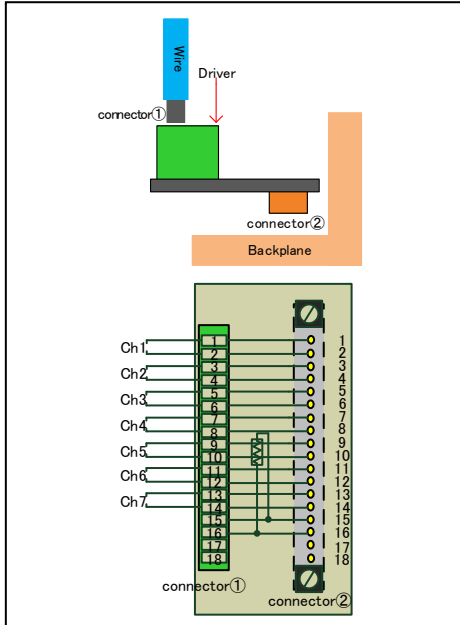
15 pin and 16 pin of the connector have internal RTD. Therefore, don't connect the wire and apply the voltage from the outside.

About compliant module type:

For compliant modules of this product, please refer to "Compliant accessory connector list (CGS-S9902-E-XX)".

LSACT22-L Accessory connector

Spring type (Push IN) , 0.25 to 2.5 mm², Screw latch, , 18 pin type Thermocouple input-only (7 points)



When using, please read the instruction manual attached to the product carefully and use it properly.

This catalog may not be distributed or reproduced in whole or in part without permission.

Please be aware that due to product improvements and modifications, the product description in this catalog may differ in certain respects from the actual product.

DIASYS Netmation/DIASYS Netmation4S is a registered trademark of Mitsubishi Heavy Industries, Ltd.

The service names and product names of other companies described in this catalog are the trademarks or registered trademarks of each company.