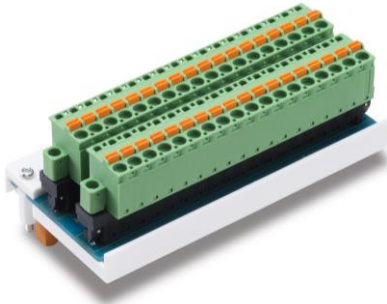


LSACT31-R Accessory connector

Spring type (Push IN), 0.25 to 2.5 mm², Screw latch, 36 pins type, DO redundancy

Summary



- * Wire holding structure : Spring type (Push IN)
- * Wire size (Ferrule) : 0.25 to 2.5 mm²
- * Accessory connector rock : Screw Fixing method
- * Number of pins : 36
- * DO redundancy

Specifications

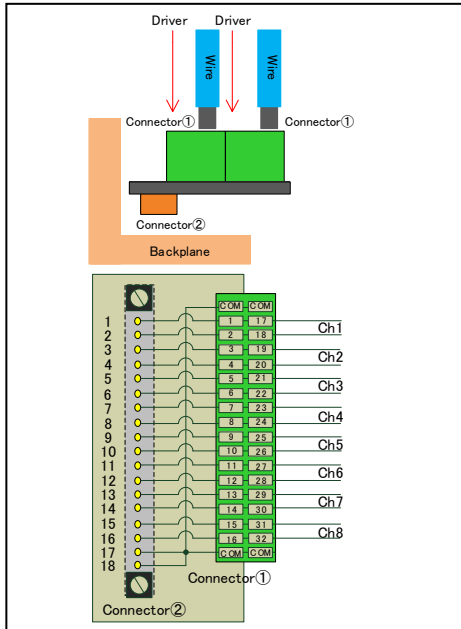
ITEM		SPECIFICATION
Classification		36 pins type DO redundancy
Connection Type		-
Attachment position on the IOM Backplane		Right side
Tightening torque (to the IOM Backplane)		0.2 to 0.25 Nm (Recommendation)
Number of pins		36
Pitch		5.08 mm
Wire holding structure		Spring type (Push IN)
Screw size		-
Tightening torque		-
Power supply (IEC)		320 V
Rated current (IEC)		3 A
Dielectric strength		1500 V AC (Between neighbor pins)
Wire size		Wire end ferrule with isolation cover 0.25 to 2.5 mm ² (AWG 24 to AWG 14)
		Flexible 0.2 to 2.5 mm ² (AWG 24 to AWG 14)
Stripping length		10 mm
Flamability class UL94		V-0
Environmental conditions	Ambient temperature	(Operating) -5 to 60°C (Storage) -25 to 55°C
	Ambient humidity	(Operating) Less than 95% RH (No condensation) (Storage) Less than 80% RH (No condensation)
Weight		0.13 kg
Dimensions		50.0 mm (D) x 52.0 mm (H) x 102.0 mm (W) (Except projection)

About compliant module type:

For compliant modules of this product, please refer to "Compliant accessory connector list (CGS-S9902-E-XX)".

LSACT31-R Accessory connector

Spring type (Push IN) , 0.25 to 2.5 mm², Screw latch, 36 pins type , DO redundancy



When using, please read the instruction manual attached to the product carefully and use it properly.

This catalog may not be distributed or reproduced in whole or in part without permission.

Please be aware that due to product improvements and modifications, the product description in this catalog may differ in certain respects from the actual product.

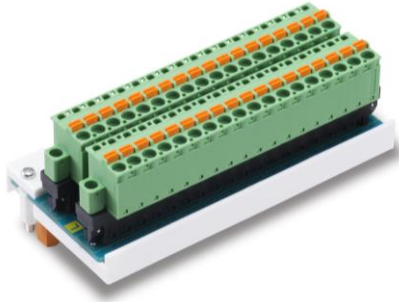
DIASYS Netmation/DIASYS Netmation4S is a registered trademark of Mitsubishi Heavy Industries, Ltd.

The service names and product names of other companies described in this catalog are the trademarks or registered trademarks of each company.

LSACT31-L Accessory connector

Spring type (Push IN), 0.25 to 2.5 mm², Screw latch, 36 pins type, DO redundancy

Summary



* Wire holding structure	: Spring type (Push IN)
* Wire size (Ferrule)	: 0.25 to 2.5 mm ²
* Accessory connector rock method	: Screw Fixing
* Number of pins	: 36
* DO redundancy	

Specifications

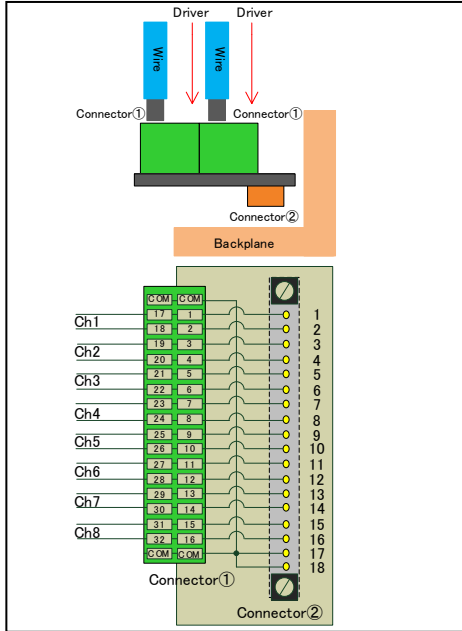
ITEM	SPECIFICATION
Classification	36 pins type DO redundancy
Connection Type	-
Attachment position on the IOM Backplane	Left side
Tightening torque (to the IOM Backplane)	0.2 to 0.25 Nm (Recommendation)
Number of pins	36
Pitch	5.08 mm
Wire holding structure	Spring type (Push IN)
Screw size	-
Tightening torque	-
Power supply (IEC)	320 V
Rated current (IEC)	3 A
Dielectric strength	1500 V AC (Between neighbor pins)
Wire size	Wire end ferrule with isolation cover 0.25 to 2.5 mm ² (AWG 24 to AWG 14)
	Flexible 0.2 to 2.5 mm ² (AWG 24 to AWG 14)
Stripping length	10 mm
Flamability class UL94	V-0
Environmental conditions	Ambient temperature (Operating) -5 to 60°C (Storage) -25 to 55°C
	Ambient humidity (Operating) Less than 95% RH (No condensation) (Storage) Less than 80% RH (No condensation)
Weight	0.13 kg
Dimensions	50.0 mm (D) x 52.0 mm (H) x 102.0 mm (W) (Except projection)

About compliant module type:

For compliant modules of this product, please refer to "Compliant accessory connector list (CGS-S9902-E-XX)".

LSACT31-L Accessory connector

Spring type (Push IN), 0.25 to 2.5 mm², Screw latch, 36 pins type, DO redundancy



When using, please read the instruction manual attached to the product carefully and use it properly.

This catalog may not be distributed or reproduced in whole or in part without permission.

Please be aware that due to product improvements and modifications, the product description in this catalog may differ in certain respects from the actual product.

DIASYS Netmation/DIASYS Netmation4S is a registered trademark of Mitsubishi Heavy Industries, Ltd.

The service names and product names of other companies described in this catalog are the trademarks or registered trademarks of each company.