



COMBUSTION SYSTEMS / MILLS
RELIABLE IN
EVERY SITUATION

Mitsubishi Power is a power solutions brand
of Mitsubishi Heavy Industries.

Mitsubishi Power Europe GmbH

MOVE THE WORLD FORWARD  **MITSUBISHI
HEAVY
INDUSTRIES
GROUP**



Lignite mill

Low auxiliary power consumption, high load capacity and long service life: These characteristics are typical for our mills, conveyors and ash handling systems. Grinding plants for grinding and drying hard coal, lignite and pelletized biomass have been part of Mitsubishi Power's production and scope of supply for many decades.

Mills of various sizes for throughput capacities from 10 tonnes / hour to 200 tonnes / hour are supplied. Ongoing developments and improvements lead to excellent crushing results with high degrees of fineness.

For example our patented vertical roller mill type MPS®: It grinds and dries hard coal into coal dust and classifies and distributes it evenly across the dust piping system and the burners.



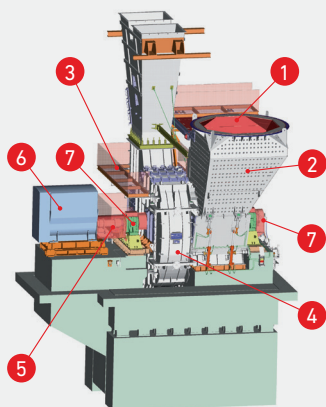
Submerged scraper conveyor

A high water content and large throughputs make the grinding of lignite a particular challenge. We also have the right products for this segment: Our DGS® mill (Distributor Blower Beater Mill) has proven itself, for example, in the drying and grinding of lignite with difficult grindability properties. Our NV mill (wet coal fan mill) is preferably used for lignite with a high water content. Both mill types can be equipped with a classifier or vapour separator if required.

The mill feeders supplied by Mitsubishi Power Europe (today mostly designed as troughed chain or belt conveyors) are also designed for high and reliable performance. As a planner and manufacturer of original parts, our company is also the ideal partner for upgrades and the provision of spare parts.

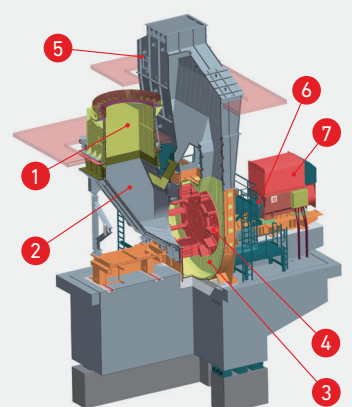
DGS® MILL

- 1 Flue gas gate valve
- 2 Inlet housing
- 3 Beater shaft
- 4 Beater wheel
- 5 Coupling
- 6 Motor
- 7 Bearing



NV MILL

- 1 Gate valve housing
- 2 Grinding chamber door
- 3 Grinding chamber
- 4 Beater wheel
- 5 Baffle-type classifier
- 6 Double bearing
- 7 Motor



For more information please contact our team: sales@eumhi.com

Mitsubishi Power Europe GmbH

Schifferstraße 80, 47059 Duisburg, Germany
 TEL +49 203 8038-0, FAX +49 203 8038-1809, sales@eumhi.com
<https://emea.power.mhi.com>

MOVE THE WORLD FORWARD  **MITSUBISHI
HEAVY
INDUSTRIES
GROUP**